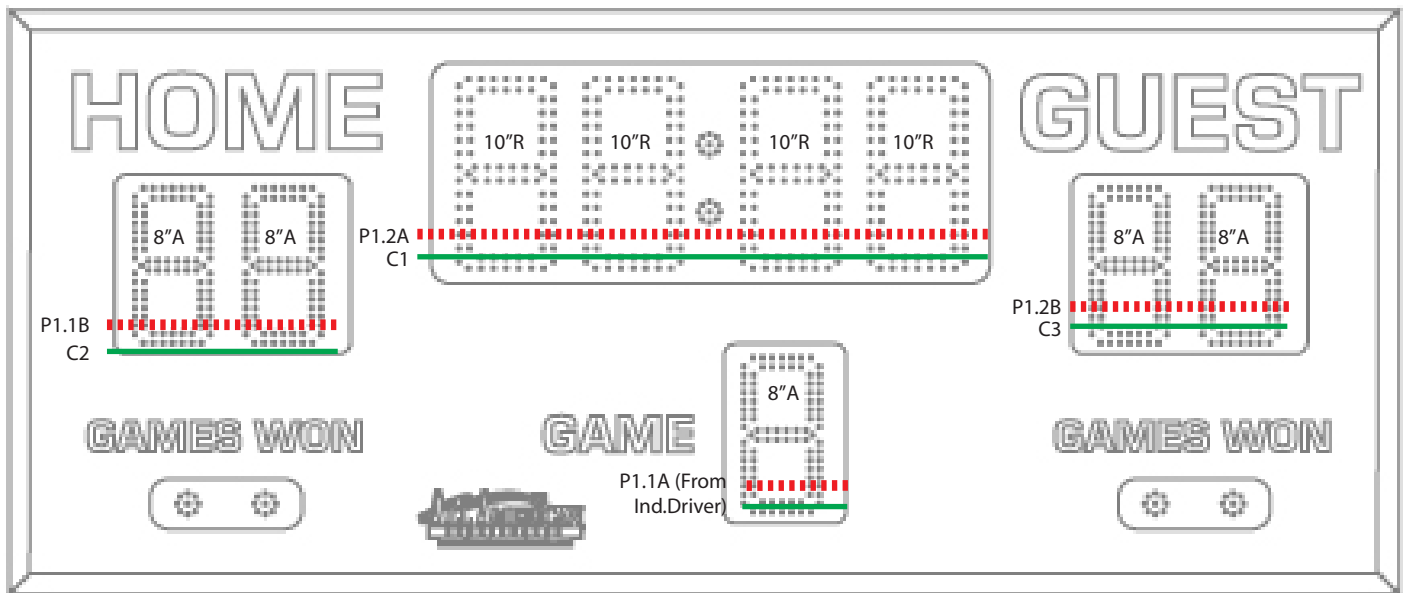


8606 Volleyball Controller Plate

CONTROLLER PLATE BEHIND HOME SCORE

Scoreboard Type: 400



Power Supply Outputs (Full Brightness & Full Digits): P1.1 ≈ 2.09A P1.2 ≈ 3.44A

"C" refers to controller board output. If Indicators are used, C4 data will go to the Indicator Driver Board and then to the digit(s).

— = DATA ■■■■■ = 10.5VDC POWER

115 VAC / 60 Hz - 2.5 Amps