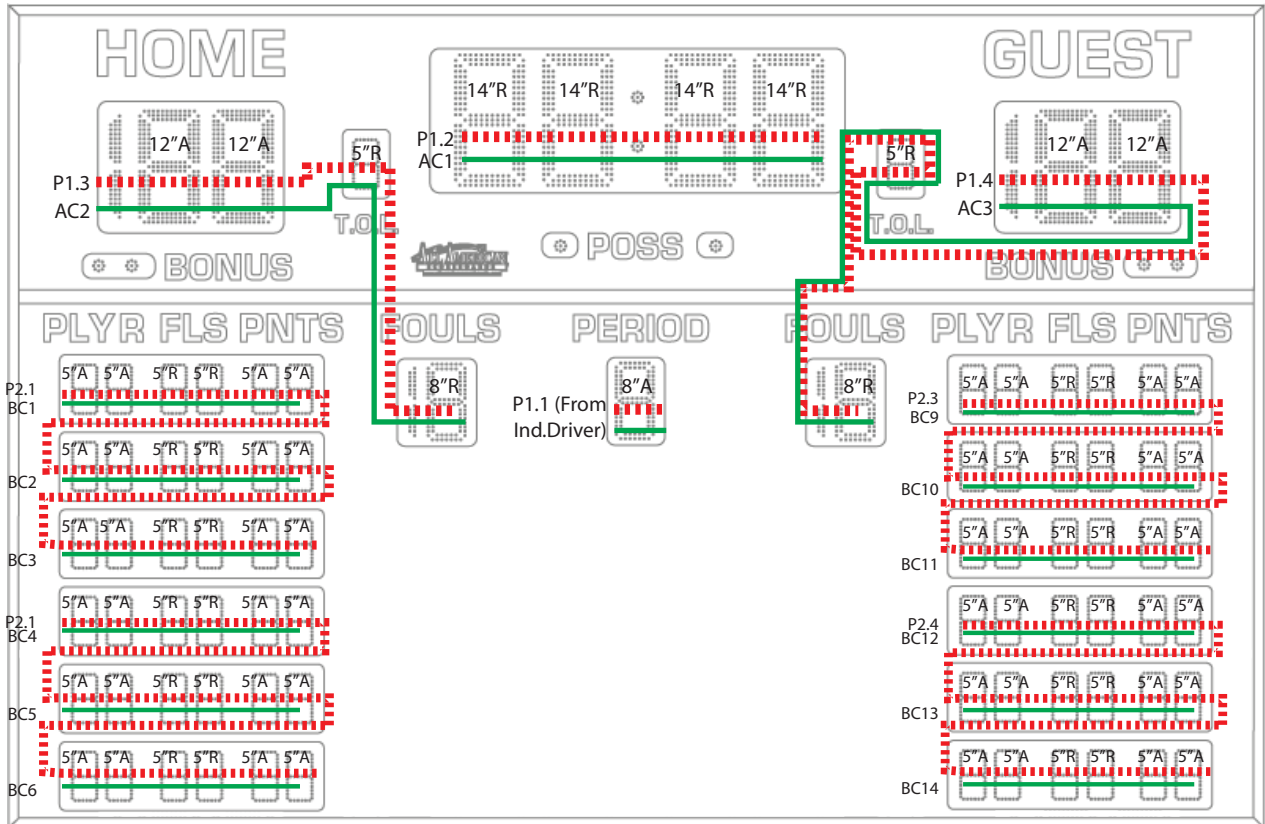


8266X Basketball Controller Plate CONTROLLER PLATE BEHIND HOME STATS



Power Supply Outputs (Full Brightness & Full Digits): P1.1 ≈ 1.38A P1.2 ≈ 3.87A P1.3 ≈ 2.88A P1.4 ≈ 2.88A
P2.1 ≈ 4.40A P2.2 ≈ 4.40A P2.3 ≈ 4.40A P2.4 ≈ 4.40A

"C" refers to controller board output. If Indicators are used, C4 data will go to the Indicator Driver Board and then to the digit(s).
— = DATA = 10.5VDC POWER

115 VAC / 60 Hz - 6.0 Amps