

# ALL AMERICAN

## SCOREBOARDS™



## SCOREBOARD SITE INSTALLATION

**CAUTION: All American Scoreboards (AAS) recommends the sign be installed by a licensed contractor, and must meet all local and national building codes.**

**NOTE: AAS RECOMMENDS USING A BOOM/FORKLIFT/CRANE OF SUITABLE SIZE TO USE IN INSTALLATION.**

### Unpacking/Pre-Installation

Dependent on the Model ordered, the All American Scoreboard unit comes crated with different items attached and/or unattached and with different installation hardware.

**! OPERATION OF THE UNIT WITH THE ELECTRICAL CIRCUITRY EXPOSED IS DANGEROUS. BE SURE ALL TOOLS AND ANY OTHER MATERIALS ARE REMOVED FROM THE UNIT, AND ALL ACCESS COVERS ARE REPLACED AND CLOSED BEFORE POWER IS TURNED ON.**

**NOTE:** Take care uncrating as not to damage the units.

The shipment should include:

- Installation instructions (this document).
- Operator's Manual.
- LED Scoreboard Cabinet(s).
- Keypad Console.
- Scoreboard Antenna (Radio System only)
- Junction Box (Hard-wire only)
- Mounting Hardware (see parts list.)

**NOTE: Upon receipt, check for visible damage. If damage is found at the time of delivery, consignee must obtain an 'Inspection of Bad Order' from the delivering carrier.**

If damage is found after shipment has been accepted, visit [www.AllAmericanScoreboards.com](http://www.AllAmericanScoreboards.com) for the damage claim procedure or contact your sales rep.

**After scoreboard is safely mounted at the location, scoreboard MUST be powered up and operated to ensure proper functionality.**

1. Apply power to scoreboard by plugging into outlet. Power requirements will be posted on scoreboard.
2. Watch the power up sequence. Each digit will light up "0's" and then count from 1 through 9. All indicators will light up individually and in a random fashion. **IF ANY DIGITS OR INDICATORS FAIL TO LIGHT, CHECK ALL CONNECTIONS TO THE POWER SUPPLIES AND CONTROLLER PLATE PC BOARDS. IF ENTIRE BOARD FAILS TO LIGHT, CHECK CIRCUIT BREAKER.**
- 3. Power up the 8000 Series Console.**
4. On Console, Press 1 to select Scoreboards.
5. Answer NO to use last setup, press ENTER.

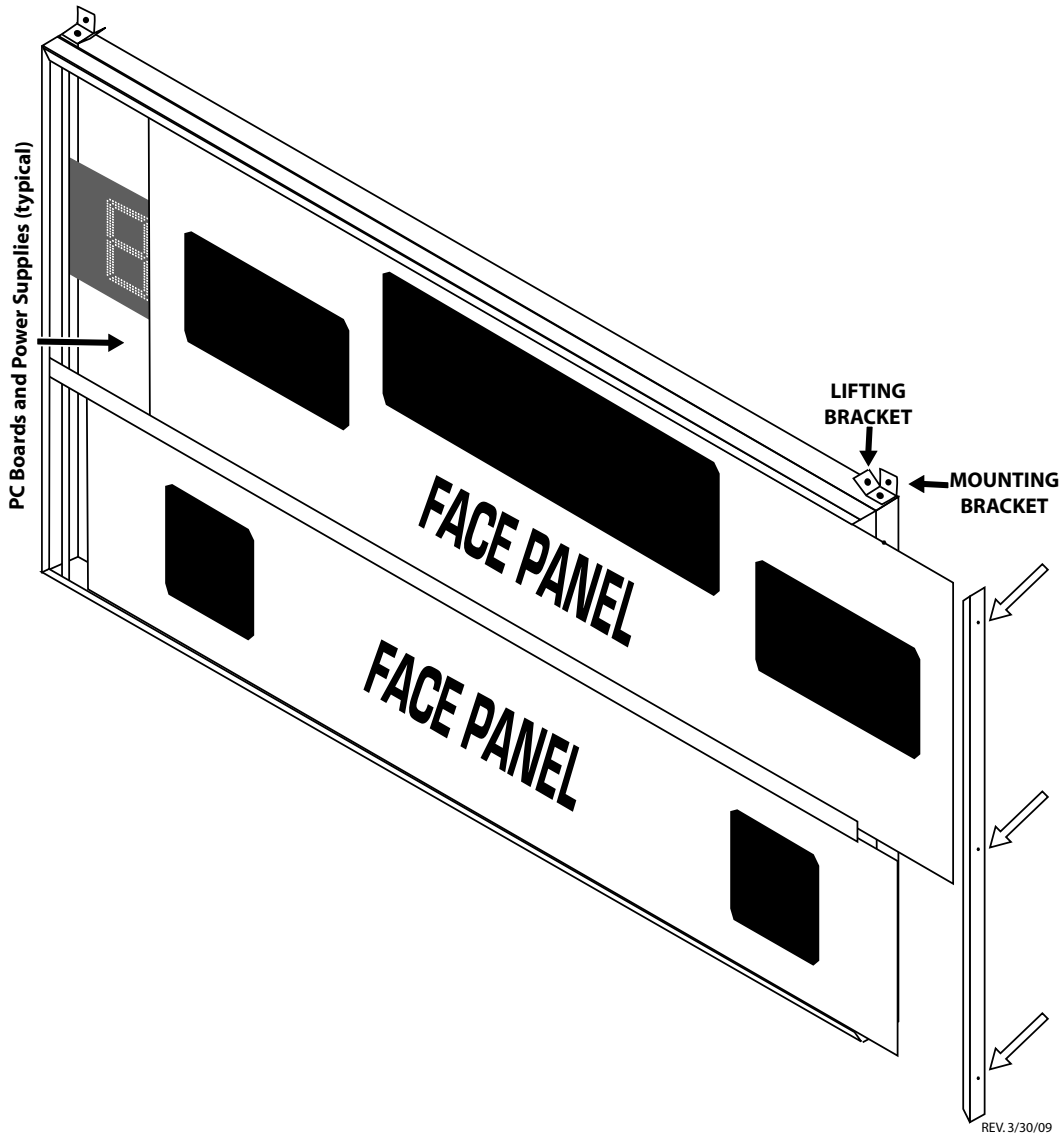
RADIO INSTRUCTIONS: Enter scoreboard ID. ID will be displayed in the last 2 digits in the timer AND in the guest score of each scoreboard. Press ENTER on the console to enter another ID (when using multiple scoreboards) or press ENTER twice to move to the next step.

HARDWIRE INSTRUCTIONS: Connect to board by connecting CAT5 cable from scoreboard (or junction box) to back of console (marked SCOREBOARD).

6. Select Sport, adjust brightness, etc in SETUP (if necessary) and run through sport scenarios.

# INDOOR SCOREBOARD INSTALLATION

## REFER TO ENGINEERED DRAWINGS FOR ACTUAL MEASUREMENTS



Scoreboard MUST be mounted in at least 4 points. Mounting Brackets are supplied on the top and bottom of scoreboard. Refer to supplied engineering drawing for proper measurements and number of mounting points. Drawings are available at the end of this manual and at [AllAmericanScoreboards.com](http://AllAmericanScoreboards.com).

Using lifting angle (attached to top mounting brackets), lift scoreboard to desired location. Bolt scoreboard to wall.

Because wall types may vary, type of bolt cannot be recommended nor supplied by All American Scoreboards. Refer to scoreboard weight and wall type before determining installation method.

All American Scoreboards (AAS) and/or Everbrite, LLC shall not be held liable for improper installation.

**CAUTION:** AAS recommends the scoreboard be installed by a licensed contractor, and must meet all local and national building codes. AAS recommends using a boom/forklift/crane of suitable size to use in installation.

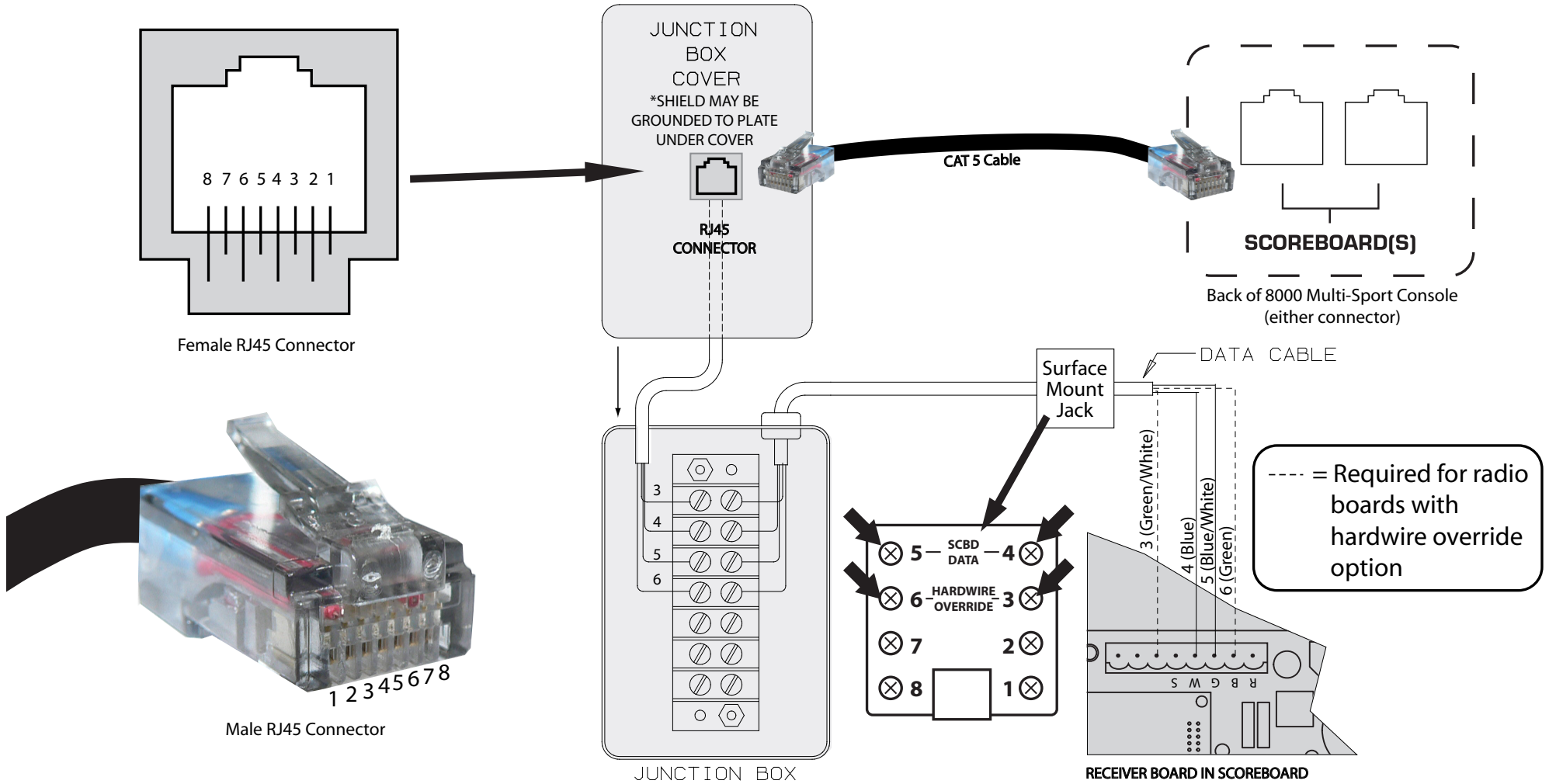
### To Access Digits and Internal Components

It is unlikely that the scoreboard will ever need to be opened upon installation to an indoor scoreboard. For example, hardwire connections can be made using the RJ45 connection usually located at the top right of the scoreboard. Indoor scoreboards also come equipped with an AC power plug that can be plugged in to any standard 120VAC 20Amp outlet.

To access the inside components (Digits, Indicators, Power Supplies, PC Boards), simply remove the extruded front angle on the right side of the scoreboard. The controller plate and power supplies will be located behind the home score (guest score in baseball) on the left side of the scoreboard. Slide the face panel out far enough to reach the component that needs to be replaced or serviced.

**CAUTION:** AAS recommends using a lift to service scoreboard. Use extreme caution when handling face panels.

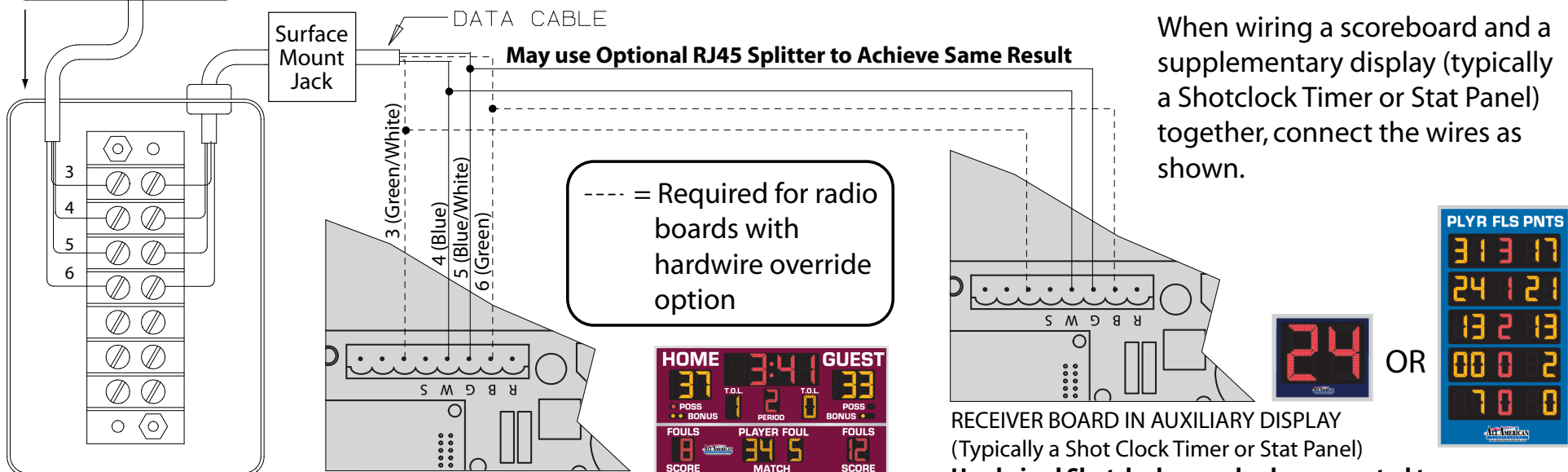
# Hardwire Scoreboard Wiring With a Standard Junction Box



# Wiring a Supplemental Display With a Standard Single Board Junction Box



Scoreboard



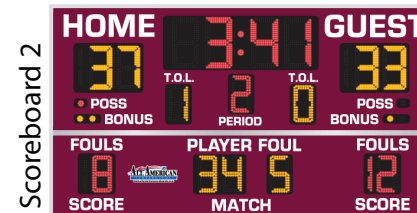
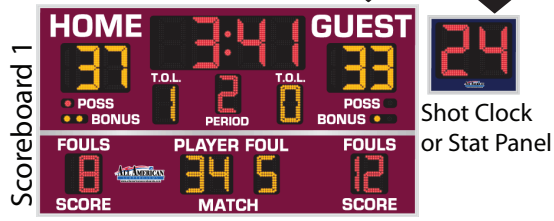
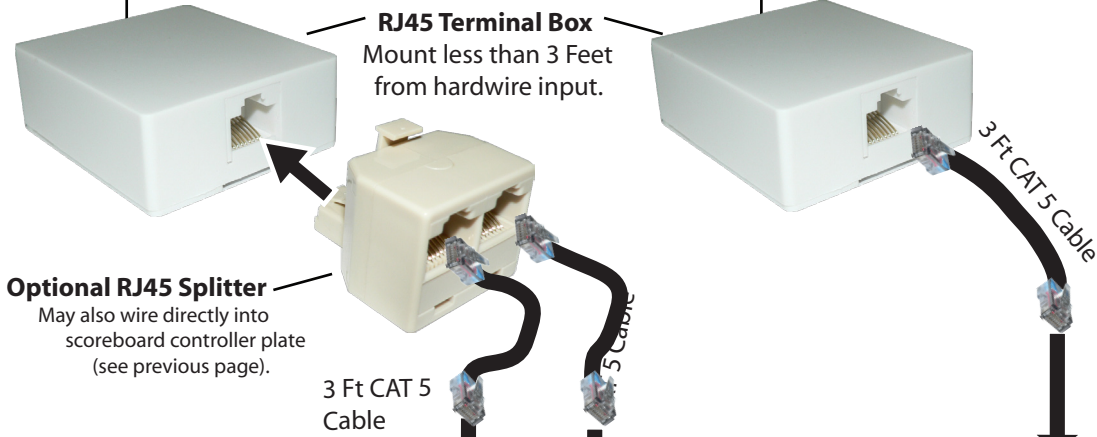
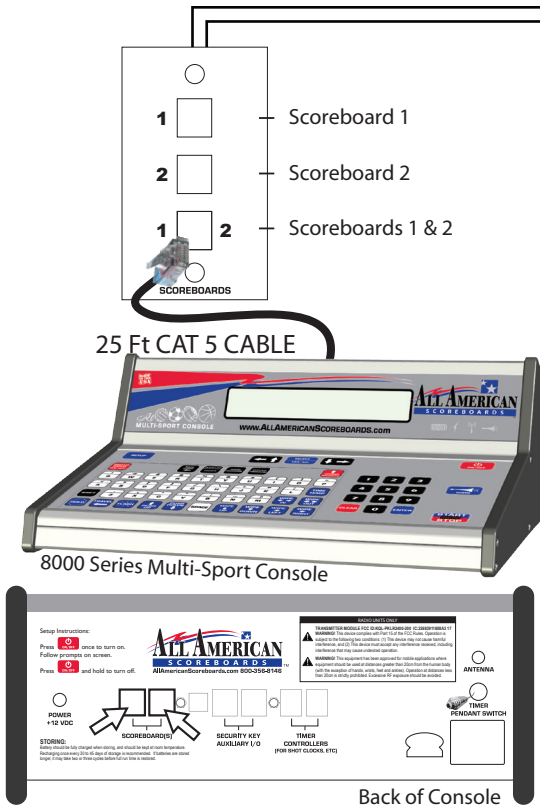
When wiring a scoreboard and a supplementary display (typically a Shotclock Timer or Stat Panel) together, connect the wires as shown.

RECEIVER BOARD IN SCOREBOARD

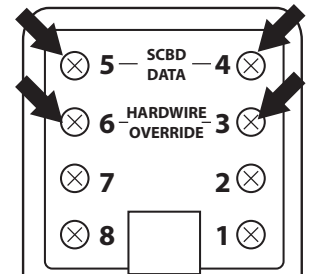
Junction Box  
Single Scoreboard Wiring  
(Dual Box is Standard -  
See Dual Wiring Diagram)

RECEIVER BOARD IN AUXILIARY DISPLAY  
(Typically a Shot Clock Timer or Stat Panel)  
**Hardwired Shotclock may also be connected to a Radio Scoreboard using same method or by using an RJ45 splitter (shown on following page).**

4 Conductor Twisted Data Cable (Length Specified w/ Order)



\*Actual scoreboard configurations may differ.



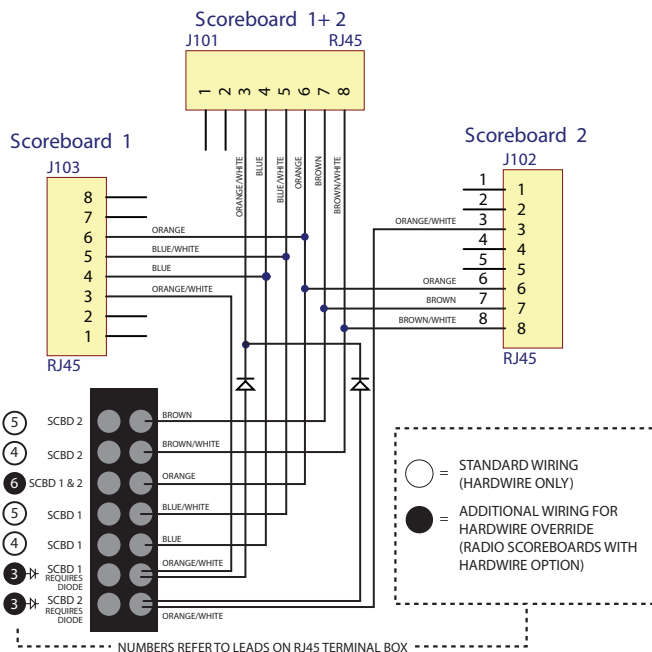
**Inside Diagram of Surface Mount Jack**  
Connect to leads 4 and 5 for data and leads 3 & 6 for hardwire override capabilities. Corresponds to junction box connections.

## Hard Wire Setup / Hardwire Override Capable Using a Dual Capable Junction Box and Optional RJ45 Splitters

All scoreboards (radio and hardwire) come equipped with hardwire backup RJ45 Connection located at the top of the scoreboard that can be connected to directly from the console. **Unless proper wiring (Leads 3 & 6) is run to the RJ45 Terminal Box and Junction Box, Radio will need to be removed from the scoreboard to connect via hard wire. To avoid this situation, two additional wires are required to allow the hardwire data to override the radio signal (Leads 3 & 6).**

The 8000 Series Console can plug directly into the scoreboard via a standard CAT5 cable and RJ45 connections. All American Scoreboards recommends using a junction box (either a standard single or a dual capable). Type of junction box and splitters will be determined at point of sale. Cable length from junction box to surface mount jack and from splitter to shot clock will vary by location.

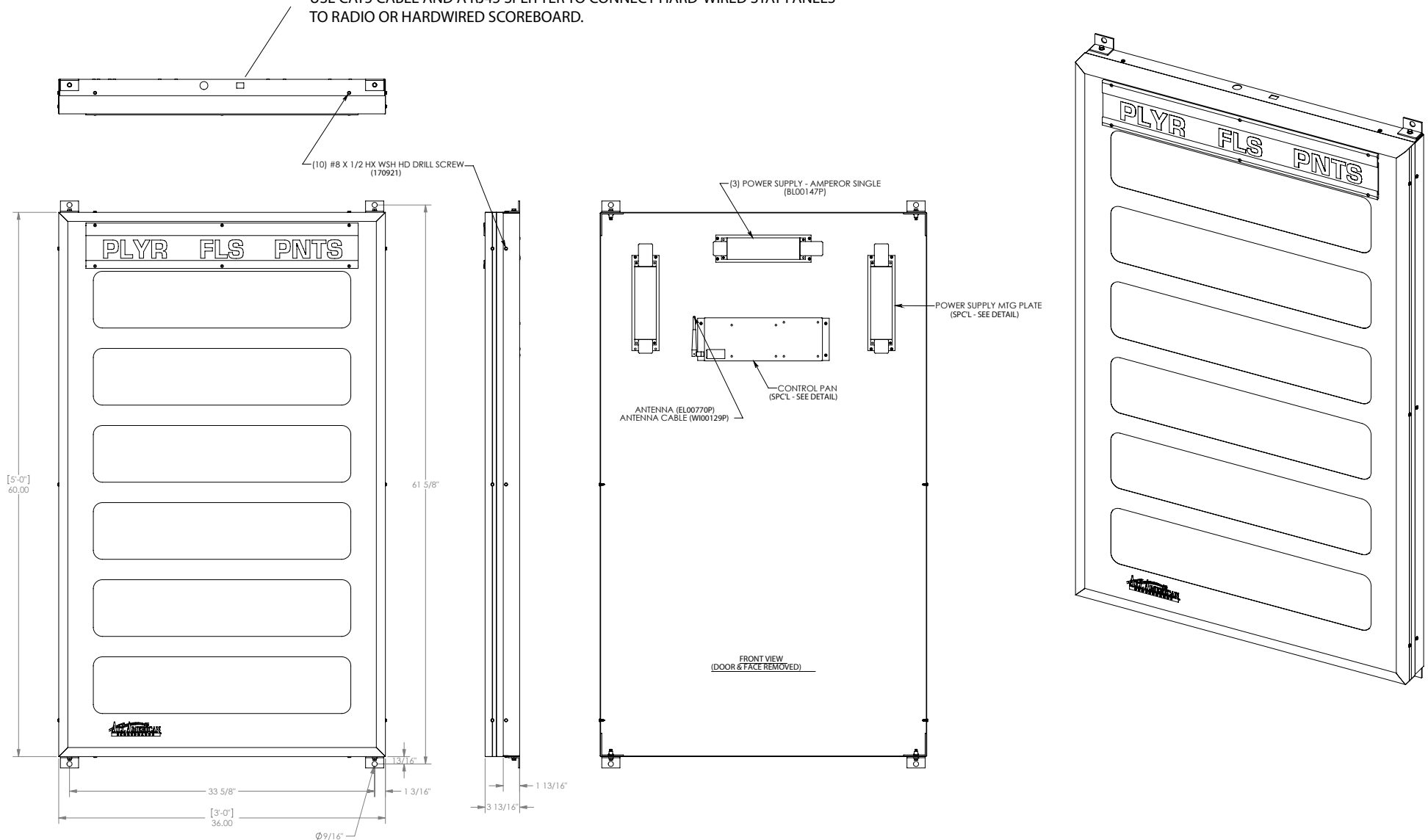
**Outdoor scoreboards will require a water tight junction box. Data connections will be directly connected to the receiver board in scoreboard and will not use the surface mount jack. Data connection and AC power cannot run in same conduit.**



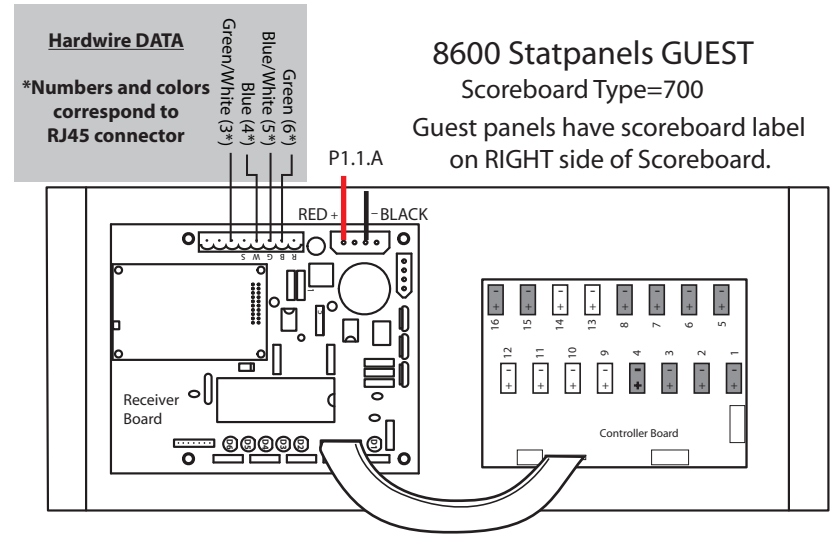
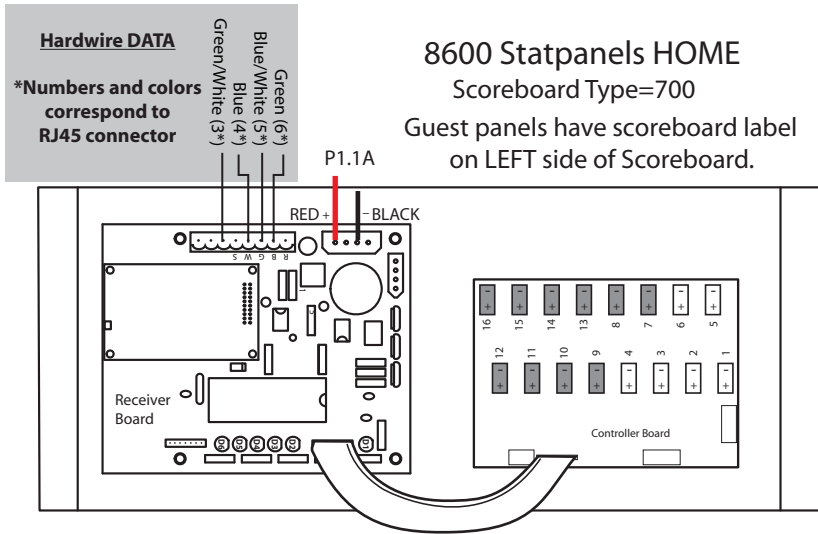
# 8600



USE CAT5 CABLE AND A RJ45 SPLITTER TO CONNECT HARD-WIRED STAT PANELS TO RADIO OR HARDWIRED SCOREBOARD.







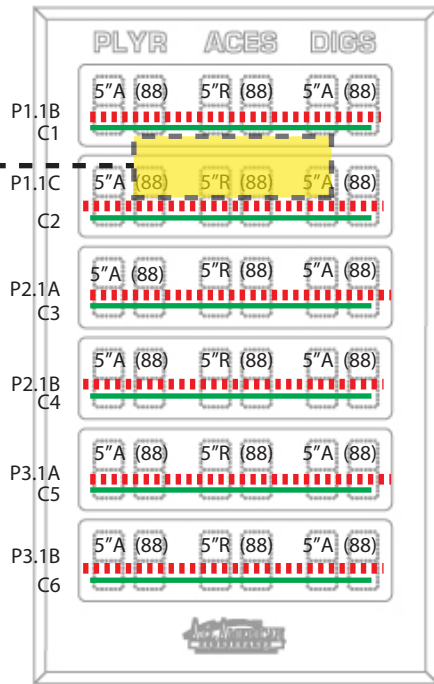
**DATA OUTPUTS**

1. Home 1 Line
2. Home 2 Line
3. Home 3 Line
4. Home 4 Line
5. Home 5 Line
6. Home 6 Line

(+) Brown  
(-) Blue

Each line is "Player, Aces or Kills, Digs"

CONTROLLER PLATE



Power Supply Outputs (Full Brightness & Full Digits): P1.1 ≈ 3.43A  
P2.1 ≈ 2.93A  
P3.1 ≈ 2.93A

"C" refers to controller board output. If Indicators are used, C4 data will go to the Indicator Driver Board and then to the digit(s).

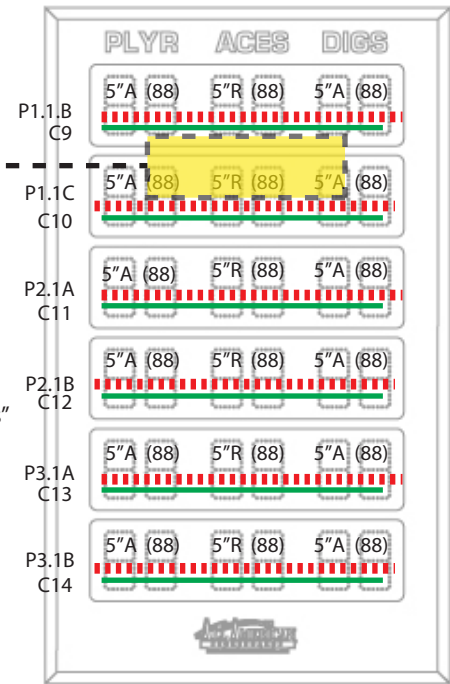
**DATA OUTPUTS**

9. Guest 1 Line
10. Guest 2 Line
11. Guest 3 Line
12. Guest 4 Line
13. Guest 5 Line
14. Guest 6 Line

(+) Brown  
(-) Blue

Each line is "Player, Aces or Kills, Digs"

CONTROLLER PLATE



Power Supply Outputs (Full Brightness & Full Digits): P1.1 ≈ 3.43A  
P2.1 ≈ 2.93A  
P3.1 ≈ 2.93A

"C" refers to controller board output. If Indicators are used, C4 data will go to the Indicator Driver Board and then to the digit(s).