

ALL AMERICAN

SCOREBOARDS™



Everbrite

Site Installation | Model MP-8418

Rev. 8/1/2011

SCOREBOARD SITE INSTALLATION INSTRUCTIONS

CAUTION: All American Scoreboards (AAS) recommends the sign be installed by a licensed contractor, and must meet all local and national building codes.

NOTE: AAS RECOMMENDS USING A BOOM/FORKLIFT/CRANE OF SUITABLE SIZE TO USE IN INSTALLATION.

Unpacking/Pre-Installation

Dependent on the Model ordered, the All American Scoreboard unit comes crated with different items attached and/or unattached and with different installation hardware.

! OPERATION OF THE UNIT WITH THE ELECTRICAL CIRCUITRY EXPOSED IS DANGEROUS. BE SURE ALL TOOLS AND ANY OTHER MATERIALS ARE REMOVED FROM THE UNIT, AND ALL ACCESS COVERS ARE REPLACED AND CLOSED BEFORE POWER IS TURNED ON.

NOTE: Take care uncrating as not to damage the units.

The shipment should include:

- Installation instructions (this document).
- Operator's Manual.
- LED Scoreboard Cabinet(s).
- Keypad Console.
- Scoreboard Antenna (Radio System only)
- Junction Box (Hard-wire only)
- Mounting Hardware (see parts list.)

NOTE: Upon receipt, check for visible damage. If damage is found at the time of delivery, consignee must obtain an 'Inspection of Bad Order' from the delivering carrier.

If damage is found after shipment has been accepted, visit www.AllAmericanScoreboards.com for the damage claim procedure or contact your sales rep.

- Installation Steps -

Prior to installation, set I-Beams in required concrete footing. Footing depth varies heavily by soil conditions, climate and environmental factors. Depth of footing must comply with local ordinances. I-Beams must be level.

Step 1: Scoreboards are installed from the bottom up and connected by pins. Measure from the top of the I-Beams to the appropriate length so the top of the scoreboard (or scoreboard + ad panels) will be flush with the top of the I-Beam.

Step 2: Screw Threaded Rods (Item 7) into the Spring Nuts (Item 8) and tighten using 1/2" Nut and Lock Washer (Items 9 and 10).

Step 3: Lift the lower cabinet and center between the poles. **It is critical that the bottom panels are level to ensure upper panels and entire scoreboard are also level.**

Step 4: Install Spring Nuts with Threaded Rods by sliding in from the end or twist them **CLOCKWISE** into the mounting channels on the back of the scoreboard (the spring nuts have a rounded edges for twisting clockwise only), approximate position on each side of the I-beams (See Figure 2).

Step 5: After leveling and centering the lower panel, secure to I-beams using the supplied 12" strut (Item 4) and 1/2" Flat Washer, Lock Washer and Hex Nut (Figures 9,10,11), taking care not over tighten and strip or pull the spring nuts out, **50/60 FT/LB torque max** (See Figure 2, Detail A). The lower panel should be secured using (4) 12" strut channels.

Step 6: Lower upper cabinet a few inches over the lower cabinet. Remove adhesive from the upper cabinet and carefully route cables through the hole of the upper cabinet and down to the lower cabinet through the cable raceway tube, ensuring to not stress the cables.

Step 7: Lower upper panel onto pins and cable raceway tube of the bottom panel. Use the same strut mounting procedure (see Figure 2) as the lower panel. Upper panels are secured by using (2) 12" strut channels.

If no Ad Panels will be installed, skip to Step 9.

Step 8: If using an Advertiser Panel, using a 9/16" drill, drill through the I-Beam to install the Mounting Angle (Item 5) on to the outside top of the I-Beam (see Figure 1). Attach a two piece Advertiser Panel using a 3/16" bar on top with 4-3/8" bolts, nuts and washers and the sides with 2-3/8" bolts, nuts and washers. **NOTE: Additional structure will be needed to properly secure Ad Panel faces (not supplied).**

Step 9: Remove the face exposing the controller assembly (located in the panel above the logo) of the scoreboard unit by unscrewing the PH screws, top and sides, lift and remove the face and set aside for reinstallation. Cables from the top cabinets are used for both power and data. The data wires will connect to the controller plate assembly and the power wires will connect to the power supplies. Make all connections according to the connector labels on the harness, (see Back Page), be sure to use a drip loop and keep a 1/2" space from the bottom of the unit. Connectors will be labeled appropriately.



Step 10: HARD-WIRE ONLY. Install the Junction Box at chosen location (i.e. press box or dug-out) and hook-up Power/Data Cable to terminal block (see Figure 3 Detail-D).

Step 11: Attach the grounding wire to ground.

Step 12: Install the cable conduit and the power cut of switch box (recommended) onto the beam and run the power through the conduit to the sign.

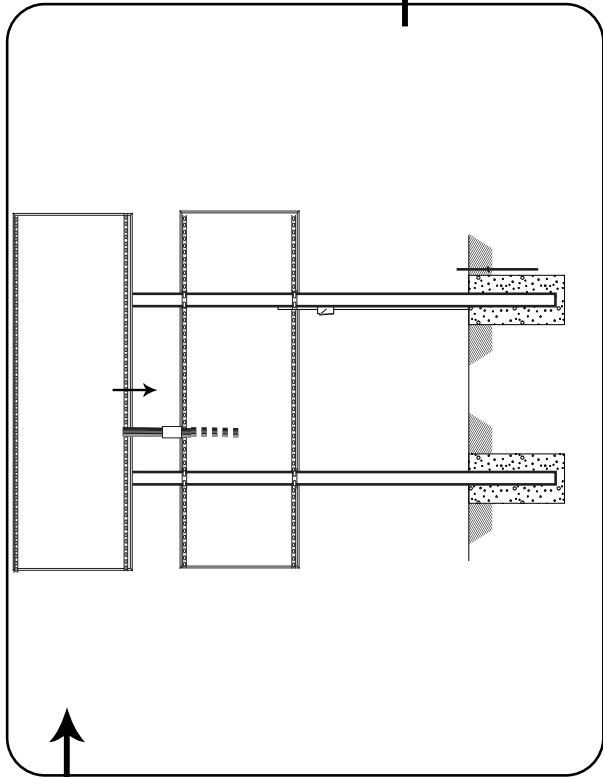
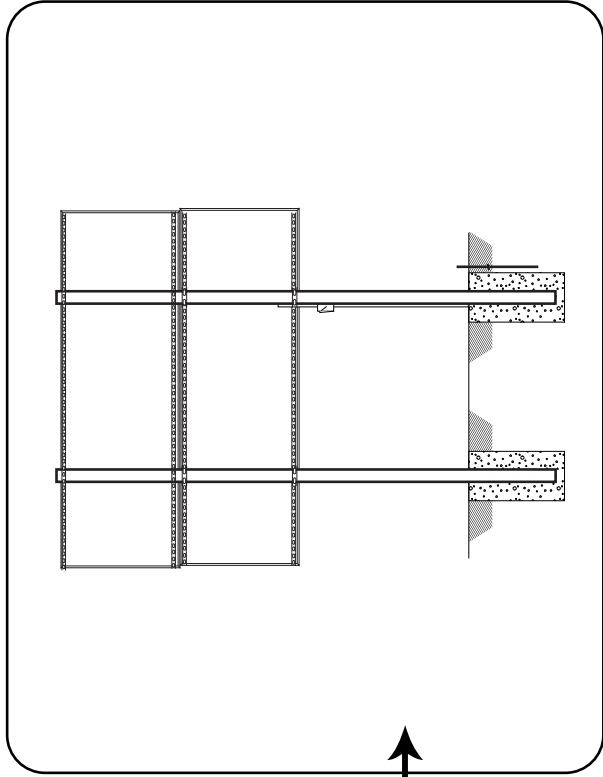
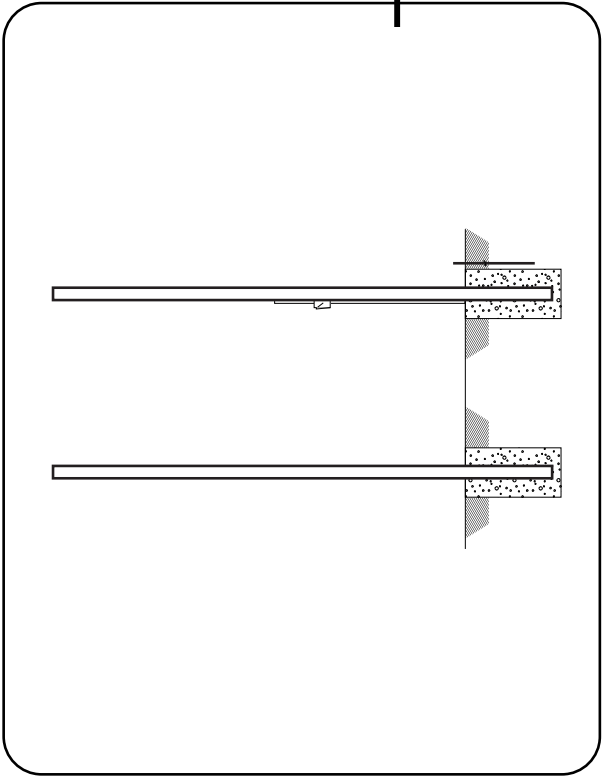
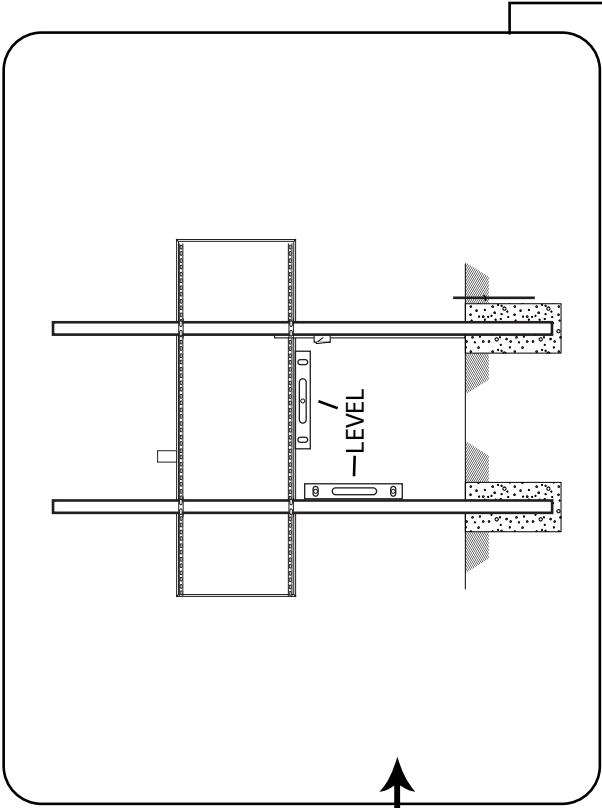
Step 13: HARD-WIRE ONLY. Install the cable conduit onto the beam and run the data cable from the junction box through the conduit to the data box on the back of the scoreboard. Attach the data cable - Pin 5 on console (and scorer's booth junction box) will connect to the Blue and White wire, Pin 4 will connect to the Blue Wire.

Step 14: RADIO ONLY. Remove the RED button cover from the antenna mount located on the face of the board and screw on the extra antenna.

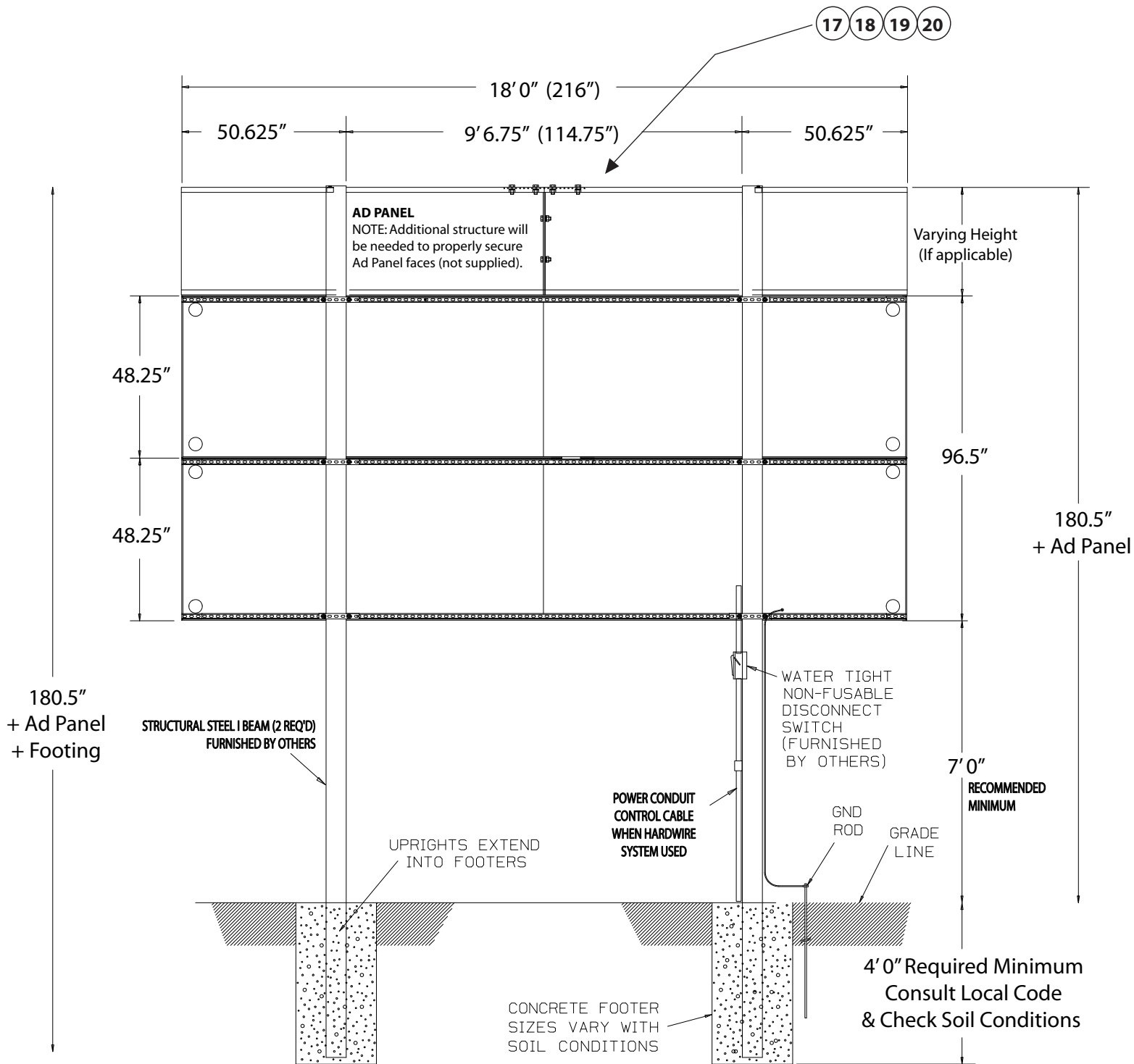
Step 15: Attach the Board power line to the terminal block in the power supply assembly; Black to Line, White to Neutral, Green to Ground. Reinstall cover.

Step 16: Reinstall board face into cabinet frame.

Step 17: Power up scoreboard and run set-up as described in Operator's Manual.



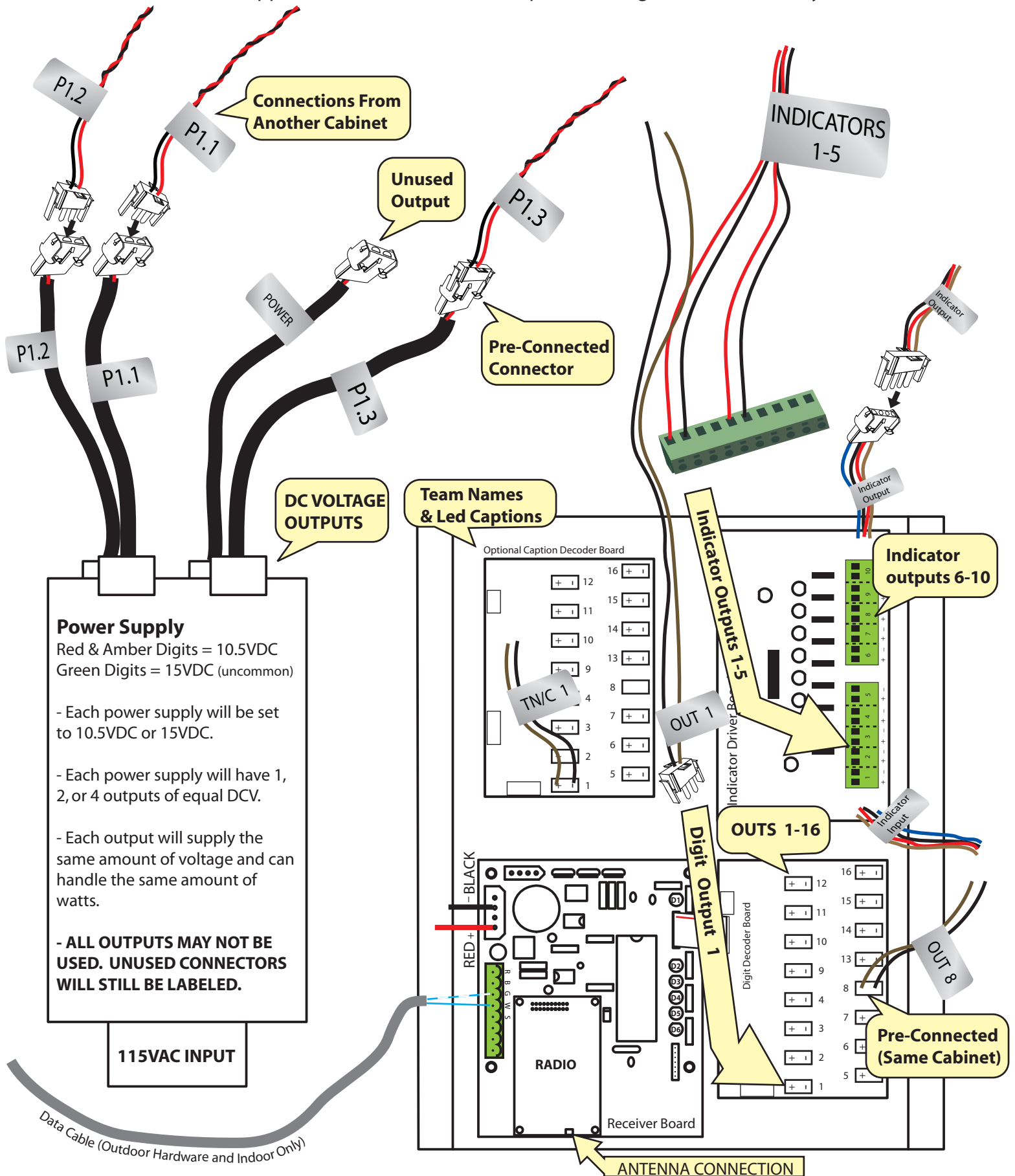
Typical 2 Cabinet Scoreboard Installation Illustration



NOTE: Foundation shown for illustration only. Actual foundation needs to meet national and local building codes. Sites must be surveyed by qualified engineer. All measurements are for reference only.

General illustration of cables coming from different cabinet (2+ Cabinets Only)

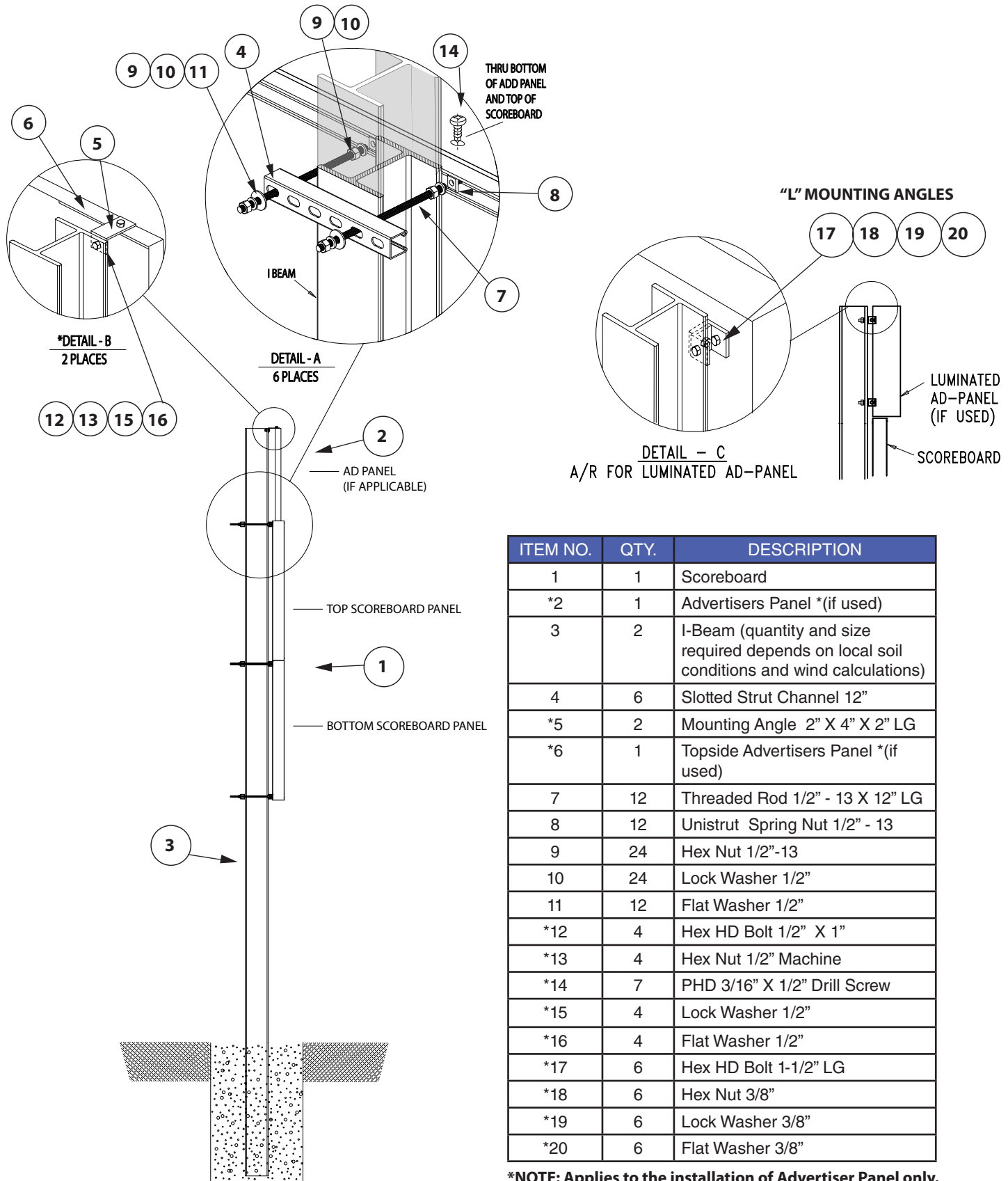
Cables from upper (or other) cabinets will be pulled through the cable raceway tubes.



Sample connections - connections and hardware will vary depending on specific scoreboard.

Cables from same cabinet will be connected. All Connections will be labeled

Figure 2: Mounting and Ad Panel Detail.

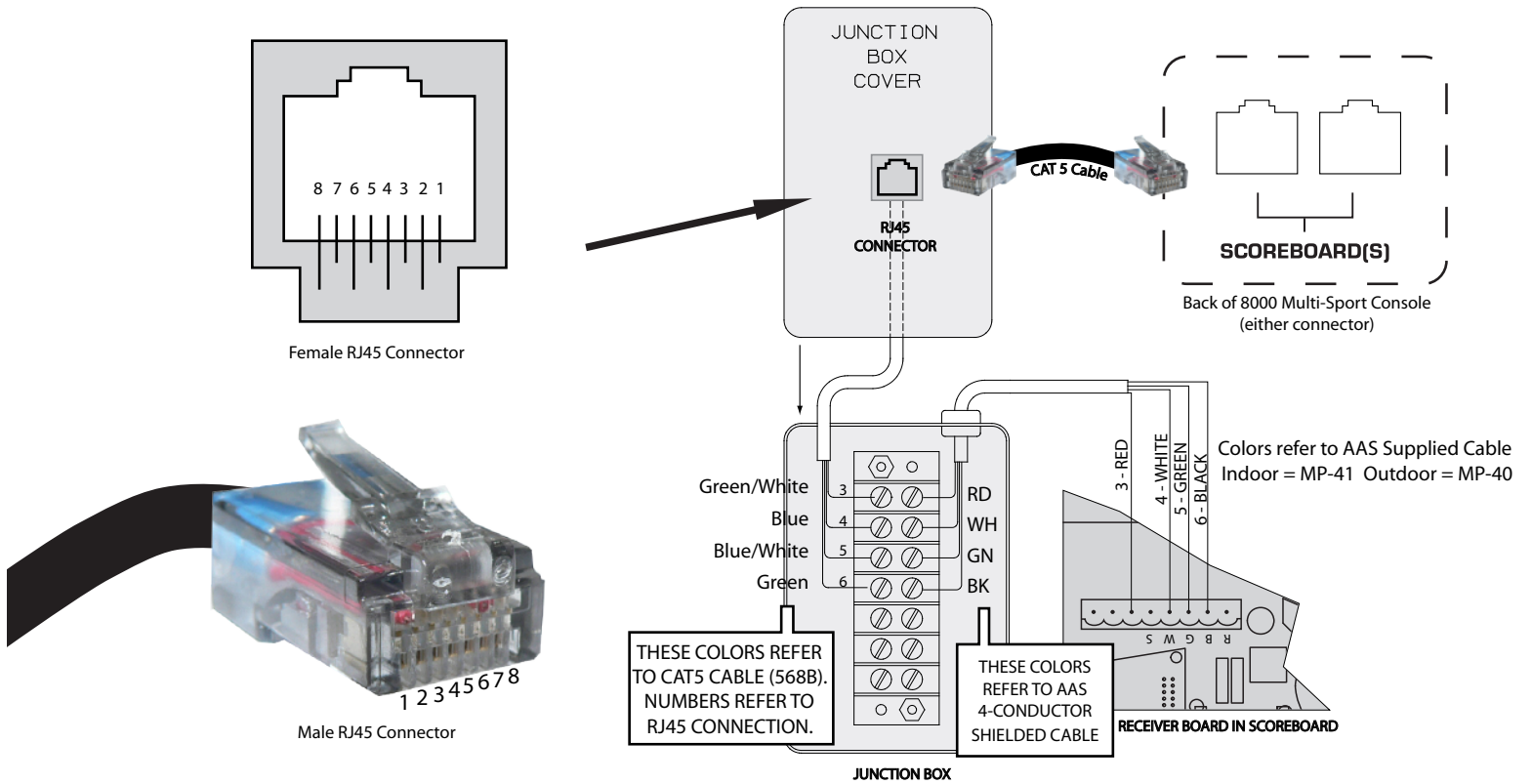


ITEM NO.	QTY.	DESCRIPTION
1	1	Scoreboard
*2	1	Advertisers Panel *(if used)
3	2	I-Beam (quantity and size required depends on local soil conditions and wind calculations)
4	6	Slotted Strut Channel 12"
*5	2	Mounting Angle 2" X 4" X 2" LG
*6	1	Topside Advertisers Panel *(if used)
7	12	Threaded Rod 1/2" - 13 X 12" LG
8	12	Unistrut Spring Nut 1/2" - 13
9	24	Hex Nut 1/2"-13
10	24	Lock Washer 1/2"
11	12	Flat Washer 1/2"
*12	4	Hex HD Bolt 1/2" X 1"
*13	4	Hex Nut 1/2" Machine
*14	7	PHD 3/16" X 1/2" Drill Screw
*15	4	Lock Washer 1/2"
*16	4	Flat Washer 1/2"
*17	6	Hex HD Bolt 1-1/2" LG
*18	6	Hex Nut 3/8"
*19	6	Lock Washer 3/8"
*20	6	Flat Washer 3/8"

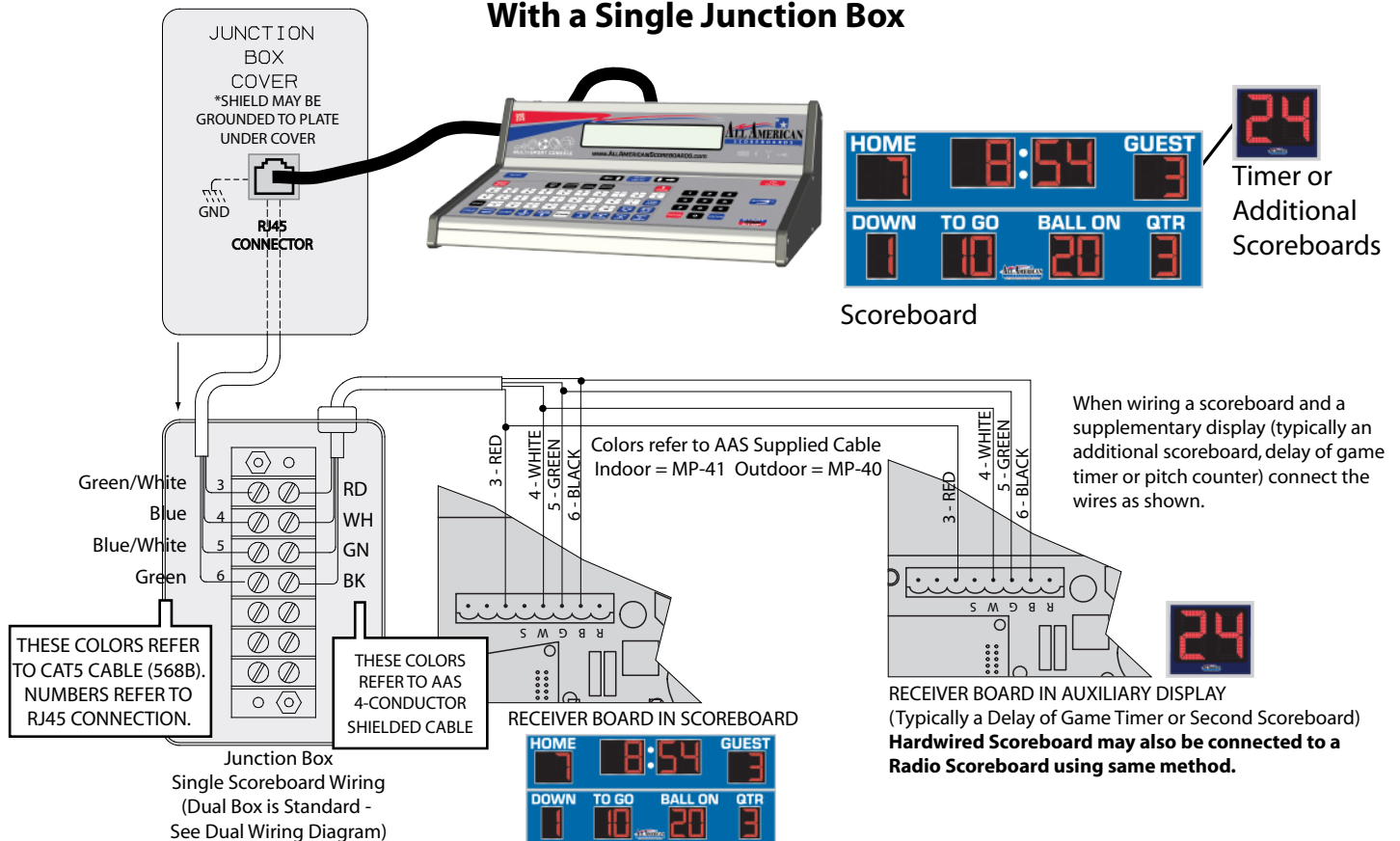
*NOTE: Applies to the installation of Advertiser Panel only.

NOTE: Foundation shown for illustration only. Actual foundation needs to meet national and local building codes.

Hardwire Scoreboard Wiring With a Standard Junction Box



Wiring a Supplemental Display With a Single Junction Box



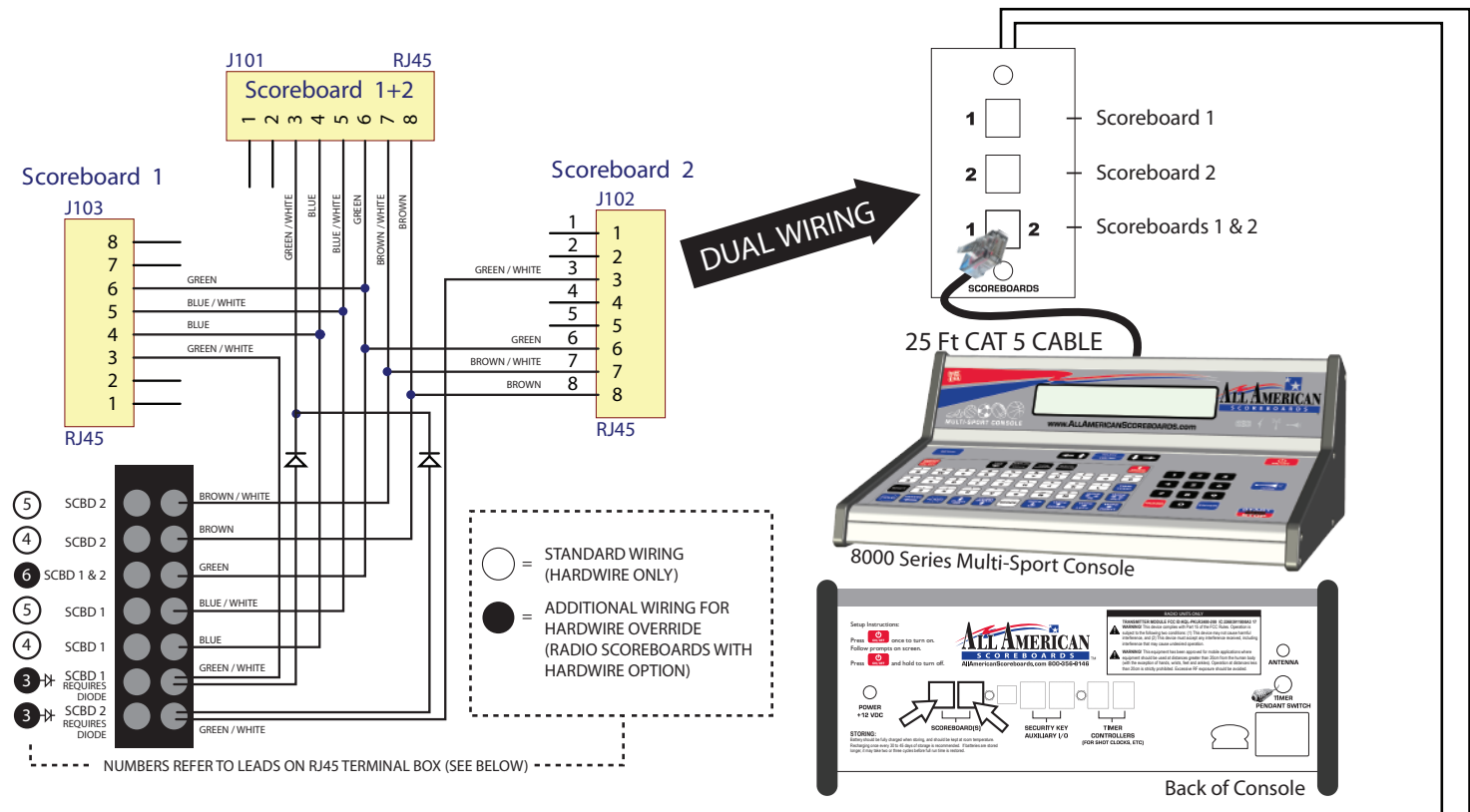
Hard Wire Setup / Hardwire Override Capable

Using a Dual Capable Junction Box

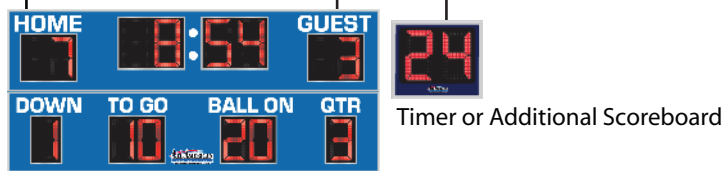
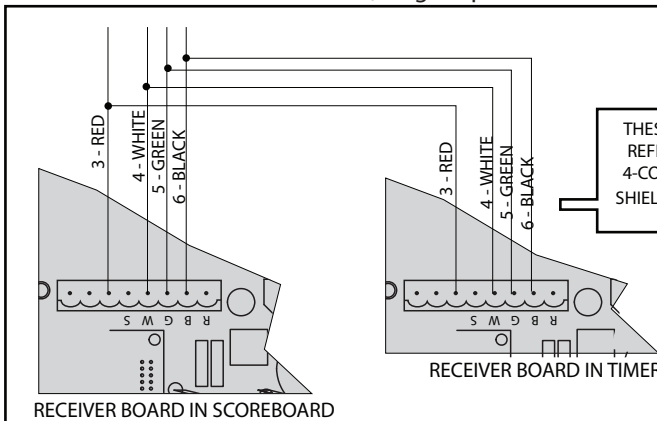
All radio scoreboards have the ability to be used as a hardwire. When installed properly, the radio on the scoreboard will turn off when a console is plugged into the hardwire input. **Unless proper wiring (Leads 3 & 6) is run to the RJ45 Terminal Box and Junction Box, the radio will need to be removed from the scoreboard to connect via hard wire. To avoid this situation, two additional wires are required to allow the hardwire data to override the radio signal (Leads 3 & 6).**

The 8000 Series Console can plug directly into the scoreboard via a standard CAT5 cable and RJ45 connections. All American Scoreboards recommends using a junction box (either a standard single or a dual capable). Type of junction box and cable lengths will be determined at point of sale.

Outdoor boards will require a water tight junction box. Data connections will be directly connected to the receiver board in scoreboard. Data connection and AC power cannot run in same conduit.



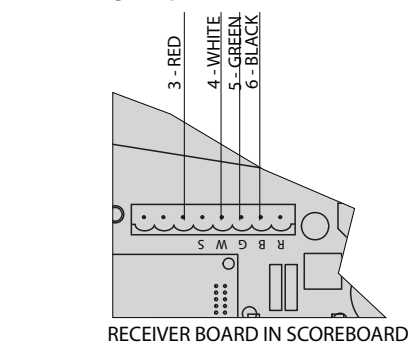
4 Conductor Twisted Data Cable (Length Specified w/ Order)



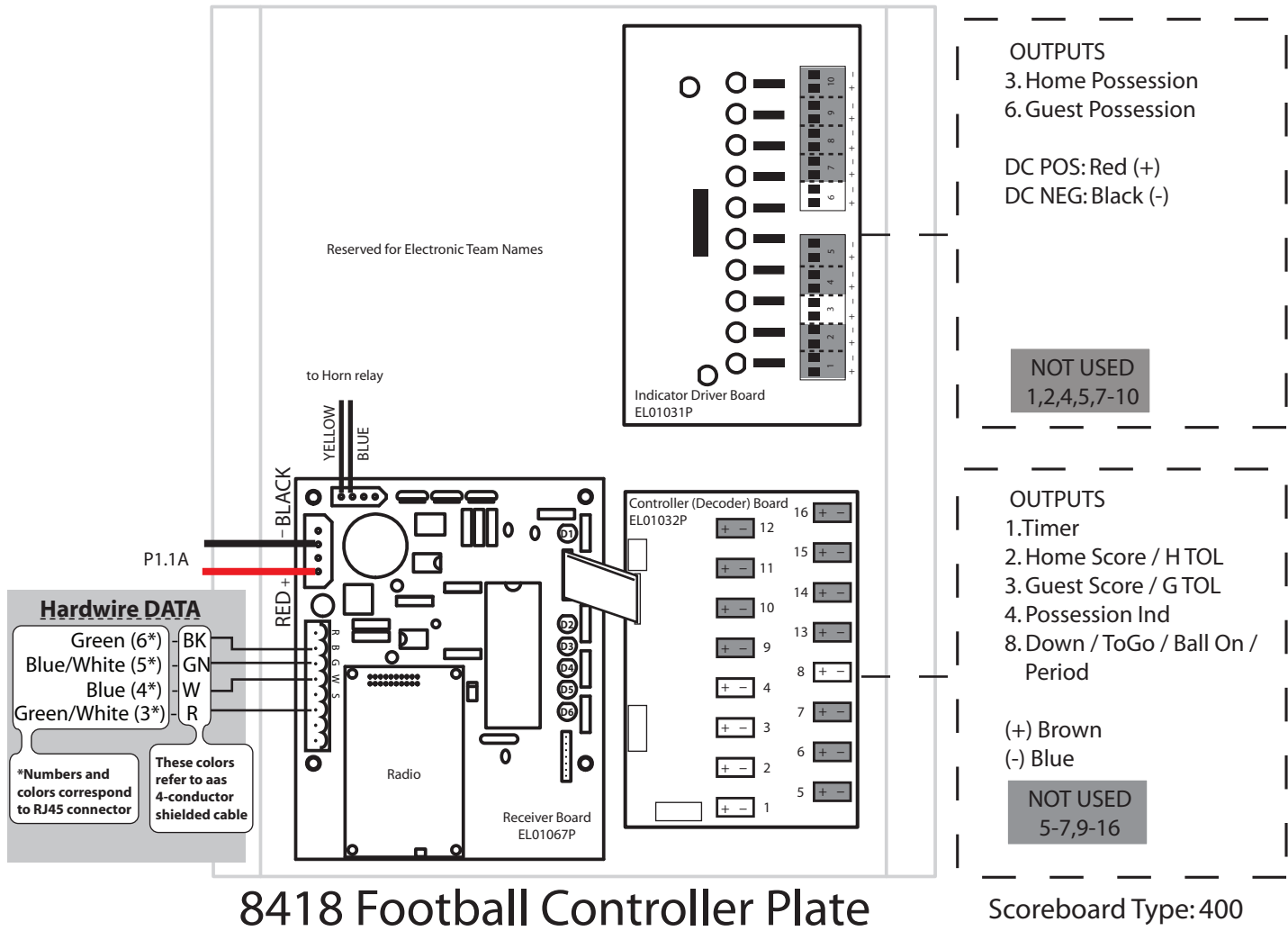
Scoreboard 1

*Actual scoreboard configurations may differ.

4 Conductor Twisted Data Cable (Length Specified w/ Order)

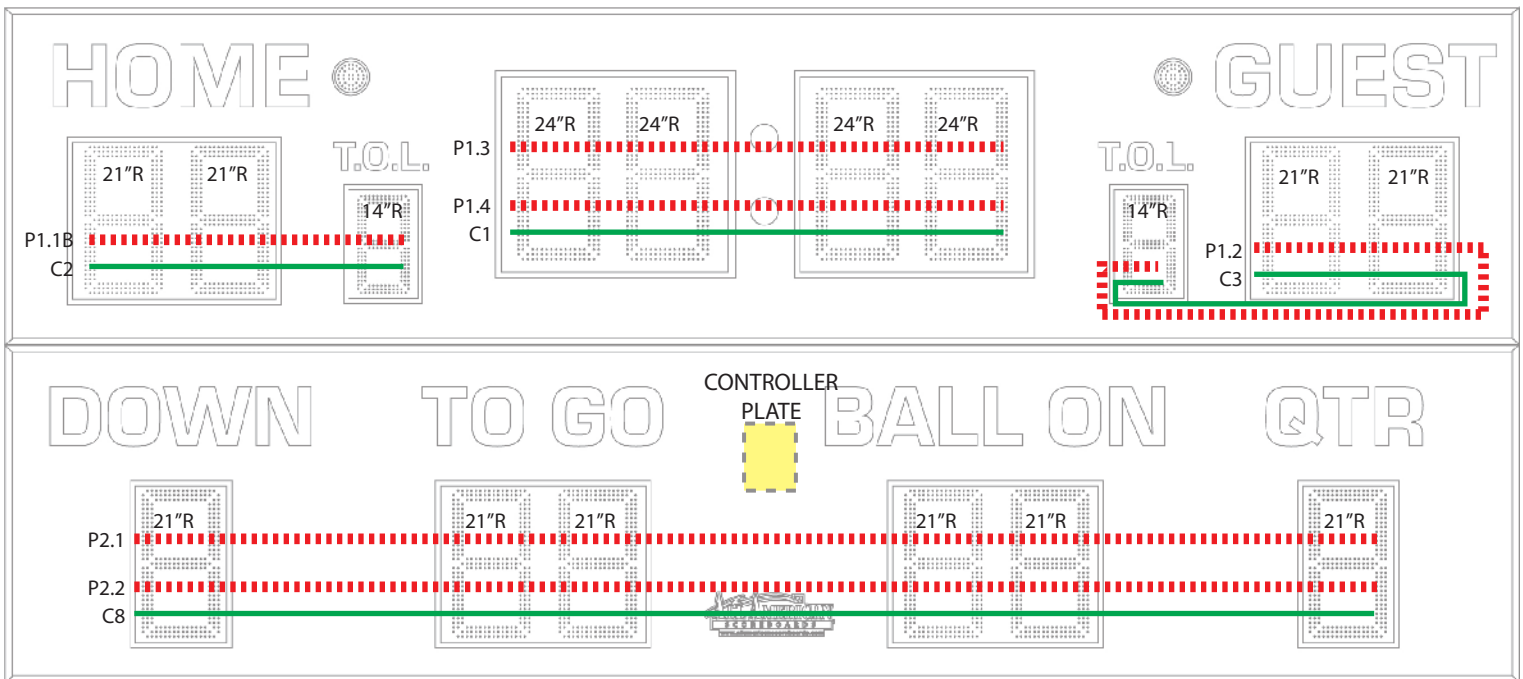


Scoreboard 2 or Auxiliary Board (Scoreboard, Timer, Pitch Count, etc.)



8418 Football Controller Plate

Scoreboard Type: 400



Power Supply Outputs (Full Brightness & Full Digits): P1.1 ≈ 4.23A P1.2 ≈ 2.81A P1.3 ≈ 2.81A P1.4 ≈ 3.57A
 P2.1 ≈ 3.90A P2.2 ≈ 3.90A

"C" refers to controller board output. If Indicators are used, C4 data will go to the Indicator Driver Board and then to the digit(s).

— = DATA - - - - - = 10.5VDC POWER

115 VAC / 60 Hz - 5.5 Amps