

Figure 2: Site Installation Hard-wire with Junction Box Shown

July 2006

Site Installation Model MP-7820

IN/-REV

## SCOREBOARD SITE INSTALLATION INSTRUCTIONS

**CAUTION:** All American Scoreboards (AAS) recommends the sign be installed by a licensed contractor, and must meet all local and national building codes.

**NOTE:** AAS recommends using a boom/forklift/crane of suitable size to use in installation.

### Unpacking/Pre-Installation

Dependent on the Model ordered, the All American Scoreboard unit comes crated with different items attached and/or unattached and with different installation hardware.

**WARNING!** OPERATION OF THE UNIT WITH THE ELECTRICAL CIRCUITRY EXPOSED IS DANGEROUS. BE SURE ALL TOOLS AND ANY OTHER MATERIALS ARE REMOVED FROM THE UNIT, AND ALL ACCESS COVERS ARE REPLACED AND CLOSED BEFORE POWER IS TURNED ON.

**NOTE:** Take care uncrating as not to damage the units.

The shipment should include:

- Installation instructions (this document).
- Operator's Manual.
- LED Scoreboard Cabinet (upper and lower).
- Keypad Console.
- Scoreboard Antenna (Radio System only)
- Junction Box for Hard-wire system if used.
- Mounting Hardware (see parts list).

**NOTE:** Upon receipt, check for visible damage. If damage is found at the time of delivery, consignee must obtain an 'Inspection of Bad Order' from the delivering carrier.

If damage is found after shipment has been accepted, visit [www.AllAmericanScoreboards.com](http://www.AllAmericanScoreboards.com) for the damage claim procedure or contact your sales rep.

### Installation steps

Step 1: Install Unistrut Spring Nuts (Item 8) by sliding in from the end or twist them into the mounting channels on the back of the scoreboard (the spring nuts have a rounded edges for twisting CW), approximate position.

Step 2: Screw Threaded Rods (Item 7) into Spring Nuts and tighten using 1/2" nut and Lock Washer (Items 8 and 10).

Step 3: If using an Advertiser Panel, after the supporting beams are installed and cured use a 9/16" drill through the I-Beam to install the Mounting Angle (Item 5) on to the outside top of the I-Beam (see Figure 1). Attach a two piece Advertiser Panel using a 3/16" bar on top with 4-3/8" bolts, nuts and washers and the sides with 2-3/8" bolts, nuts and washers.

Step 4: With the top board unit fully supported against the I-Beams put the threaded rods through the slotted U-Channel (Item 4) at 2 locations and loosely install the 1/2" nut and lock washer (Item 11) (see Figure 1 Detail-A).

**NOTE:** To slide Rods and Spring Nuts push-in on the Rod.

Step 5: Slide the top scoreboard unit flush with the I-Beam tops (or the Advertiser Panel base if used) level and center then tighten the threaded rod nuts, taking care not over tighten and strip or pull the spring nuts out, 50/60 FT/LB torque max.

**NOTE:** Connect the labeled data wiring connectors to the top and bottom units (recommend a sealant be used between the two wiring access holes). Repeat steps 4 and 5 for bottom board unit using mount hardware (see Figure 1).

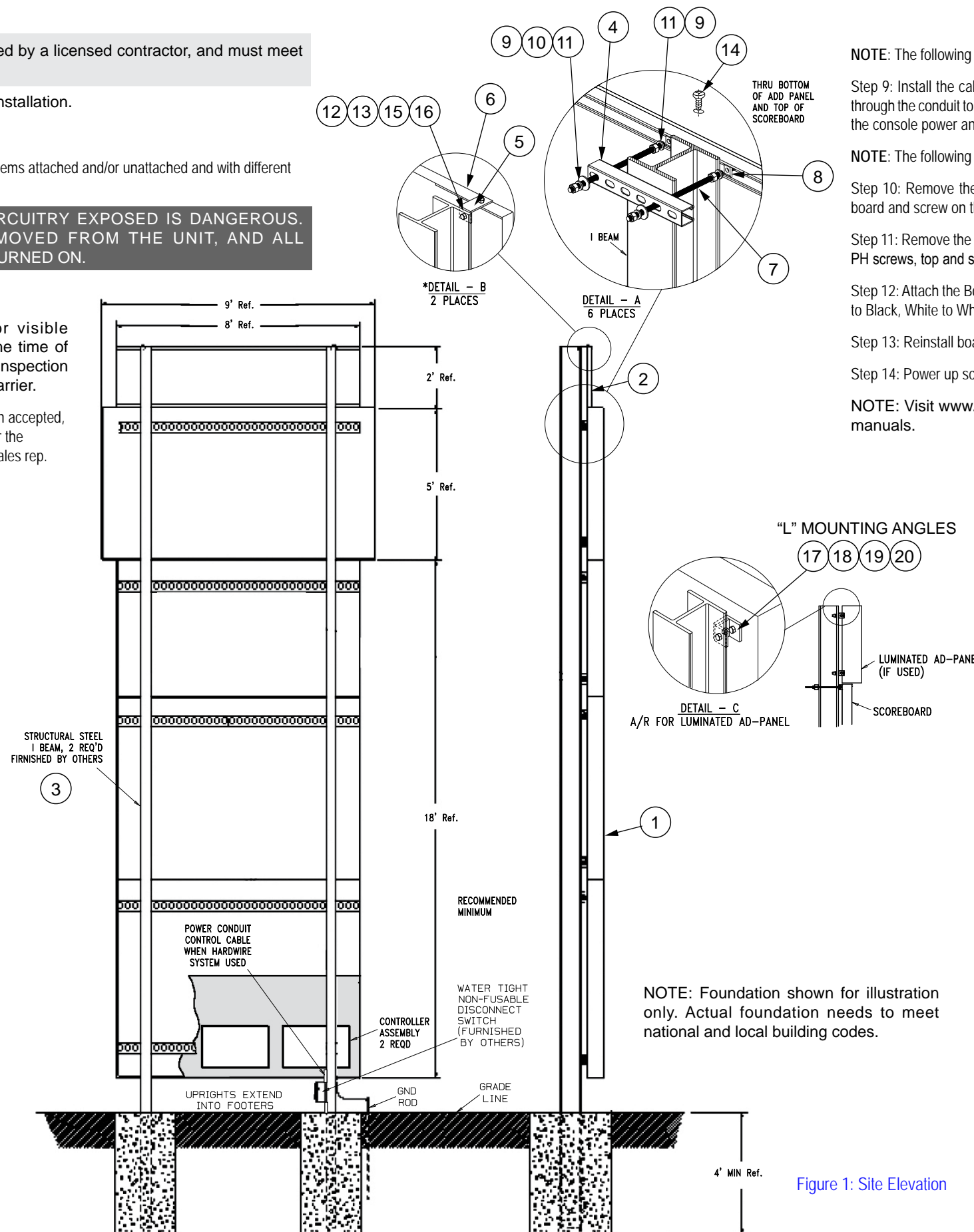
**CAUTION:** Do not hammer or bang on scoreboard cabinet.

**NOTE:** The following Step 6 is for Hard-wire setup only, not required for Radio Control Systems.

Step 6: Install the Junction Box at chosen location (i.e. press box or dug-out) and hook-up Power/Data Cable to terminal block (see Figure 2 Detail-D back page).

Step 7: Attach the grounding wire to ground.

Step 8: Install the cable conduit and the power cut of switch box (optional) onto the beam and run the power through the conduit to the sign.



**NOTE:** The following Step 9 is for Hard-wire setup only.

Step 9: Install the cable conduit onto the beam and run the data cable from the junction box through the conduit to the sign (see Figure 2). Remove the Controller Assembly cover and attach the console power and data cable to the Receiver Board.

**NOTE:** The following Step 11 is for Radio Control setup only.

Step 10: Remove the RED button cover from the antenna mount located on the face of the board and screw on the extra antenna.

Step 11: Remove the center face of the lower scoreboard unit (see Figure 2) by unscrewing the PH screws, top and sides, lift and remove the face, set aside for final assembly.

Step 12: Attach the Board power line to the terminal block in the power supply assembly; Black to Black, White to White, Green to Green then reinstall cover.

Step 13: Reinstall board face into cabinet frame.

Step 14: Power up scoreboard and run set-up described in Operator's Manual Sec 3.0.

**NOTE:** Visit [www.allamericanscoreboards.com](http://www.allamericanscoreboards.com) for addition technical manuals.

ITEM NO.	QTY.	DESCRIPTION
1	1	Scoreboard (2 units)
2	1	Advertisers Panel *(if used)
3	2	I-Beam 17 lb/ft 8" X 18" LG (AR length)
4	10	Slotted Unistrut Channel 11"
*5	2	Mounting Angle 2" X 4" X 2" LG
*6	2	Support Bar 2" X 12" X .125"
7	20	Threaded Rod 1/2" - 13 X 12" LG
8	20	Unistrut Spring Nut 1/2" - 13
9	40	Hex Nut 1/2"-13
10	20	Lock Washer 1/2"
11	40	Flat Washer 1/2"
*12	4	Hex HD Bolt 1/2" X 1"
*13	4	Hex Nut 1/2" Machine
*14	4	PHD 3/16" X 1/2" Drill Screw
*15	4	Lock Washer 1/2"
*16	4	Flat Washer 1/2"
*17	6	Hex HD Bolt 1-1/2" LG
*18	6	Hex Nut 3/8"
*19	6	Lock Washer 3/8"
*20	6	Flat Washer 3/8"

\*NOTE: Applies to the installation of Advertiser Panel only.

Figure 1: Site Elevation