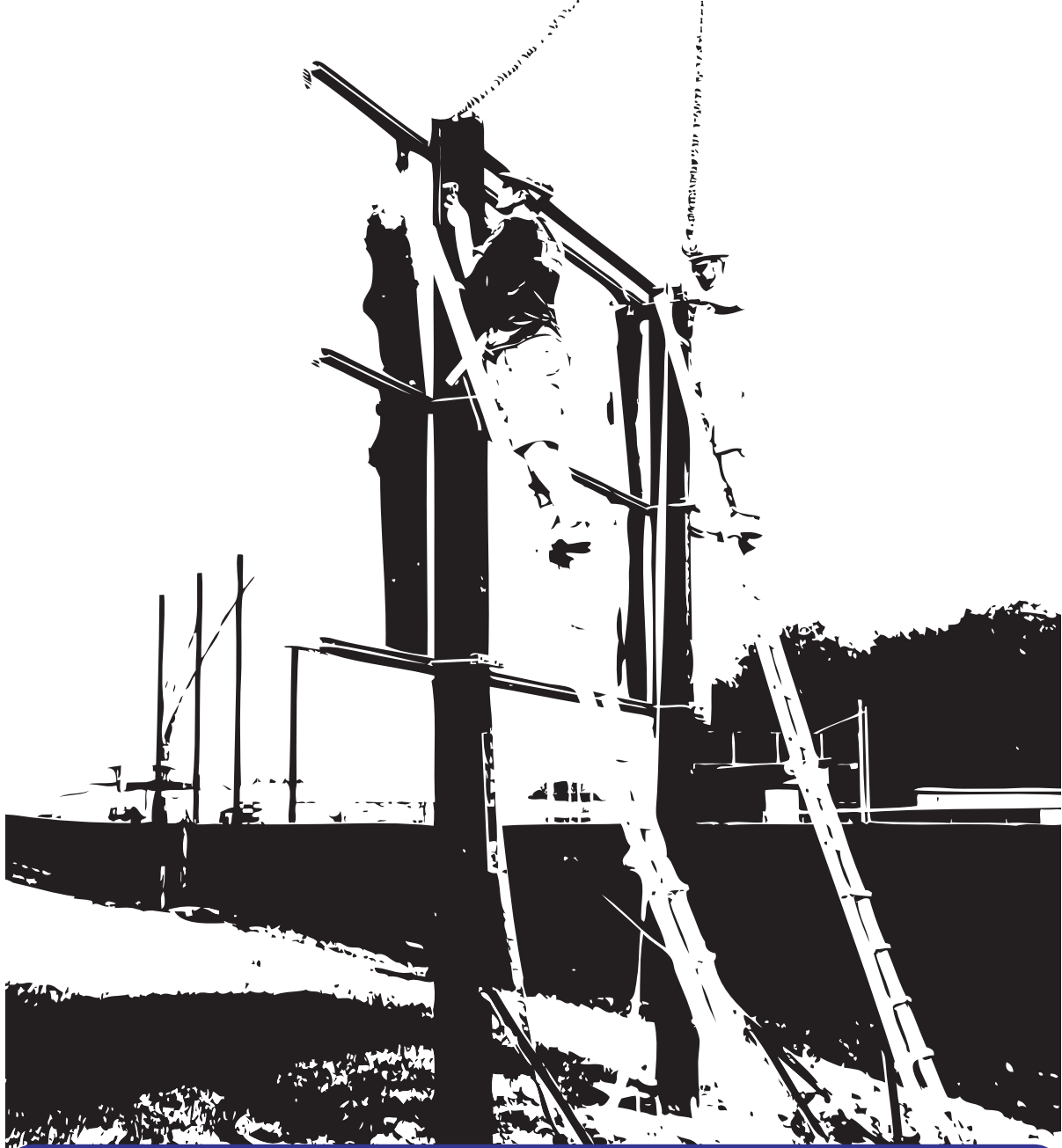


# ALL AMERICAN

## SCOREBOARDS™



Everbrite

Site Installation | Model MP-7499

Rev. 12/17/07

## SCOREBOARD SITE INSTALLATION INSTRUCTIONS

**CAUTION:** All American Scoreboards (AAS) recommends the sign be installed by a licensed contractor, and must meet all local and national building codes.

**NOTE:** AAS recommends using a boom/forklift/crane of suitable size to use in installation.

### Unpacking/Pre-Installation

Dependent on the Model ordered, the All American Scoreboard unit comes crated with different items attached and/or unattached and with different installation hardware.

**WARNING!** OPERATION OF THE UNIT WITH THE ELECTRICAL CIRCUITRY EXPOSED IS DANGEROUS. BE SURE ALL TOOLS AND ANY OTHER MATERIALS ARE REMOVED FROM THE UNIT, AND ALL ACCESS COVERS ARE REPLACED AND CLOSED BEFORE POWER IS TURNED ON.

**NOTE:** Take care uncrating as not to damage the units.

The shipment should include:

- Installation instructions (this document).
- Operator's Manual.
- 7499 D.O.G. Timer
- Keypad Console
- Scoreboard Antenna (Radio System only)
- Junction Box (Hard-wire only)
- Mounting Hardware (see parts list.)

**NOTE:** Upon receipt, check for visible damage. If damage is found at the time of delivery, consignee must obtain an 'Inspection of Bad Order' from the delivering carrier.

If damage is found after shipment has been accepted, visit [www.AllAmericanScoreboards.com](http://www.AllAmericanScoreboards.com) for the damage claim procedure or contact your sales rep.

### Installation steps

Prior to installation, set I-Beams in required concrete footing. Footing depth varies heavily by soil conditions, climate and environmental factors. Depth of footing must comply with local ordinances. I-Beams must be level.

Step 1. Scoreboards are installed from the bottom up and connected by pins. Measure from the top of the I-Beams to the appropriate length so the top of the scoreboard (or ad panel) will be flush with the top of the I-Beam.

Step 2. Screw Threaded Rods (Item 7) into the Unistrut Spring Nuts (Item 8) and tighten using 1/2" Nut and Lock Washer (Items 9 and 10).

Step 3. Lift Delay of Game Timer and center into place. It is critical that the panel is level.

Step 4. Install Unistrut Spring Nuts with Threaded Rods by sliding in from the end or twist them CLOCKWISE into the mounting channels (Unistrut) on the back of the scoreboard (the spring nuts have a rounded edges for only twisting clockwise), approximate position on each side of the I-beams (See Figure 2).

**NOTE:** To slide Rods and Spring Nuts into precise positioning, push-in on the Rod.

Step 5. After leveling and centering the timer, secure to I-beam using the supplied 12" Unistrut (Item 4) and 1/2" Flat Washer, Lock Washer and Hex Nut (Figures 9,10,11), taking care not over tighten and strip or pull the spring nuts out, 50/60 FT/LB torque max (See Figure 2, Detail A).

Step 6. Lift upper panel above mounted panel. Route the data wiring harness out the top unit into the bottom unit (recommend a sealant be used between the upper panel and lower panel wiring access holes).

**CAUTION:** Do not hammer or bang on scoreboard cabinet.

Step 7: **HARD-WIRE ONLY.** Install the Junction Box at chosen location (i.e. press box or dug-out) and hook-up Power/Data Cable to terminal block (see Figure 3 Detail-D).

Step 8: Attach the grounding wire to ground.

Step 9: Install the cable conduit and the power cut of switch box (recommended) onto the beam and run the power through the conduit to the sign.

Step 10: **HARD-WIRE ONLY.** Install the cable conduit onto the beam and run the data cable from the junction box through the conduit to the sign (see Figure 3). Remove the Controller Assembly cover and attach the console power and data cable to the Receiver Board.

Step 11: **RADIO ONLY.** Remove the RED button cover from the antenna mount located on the face of the board and screw on the extra antenna.

Step 12: Attach the Board power line to the terminal block in the power supply assembly; Black to Line, White to Neutral, Green to Ground. Reinstall cover.

Step 13: Reinstall board face into cabinet frame.

Step 14: Power up scoreboard and run set-up described in Operator's Manual Sec 3.0.

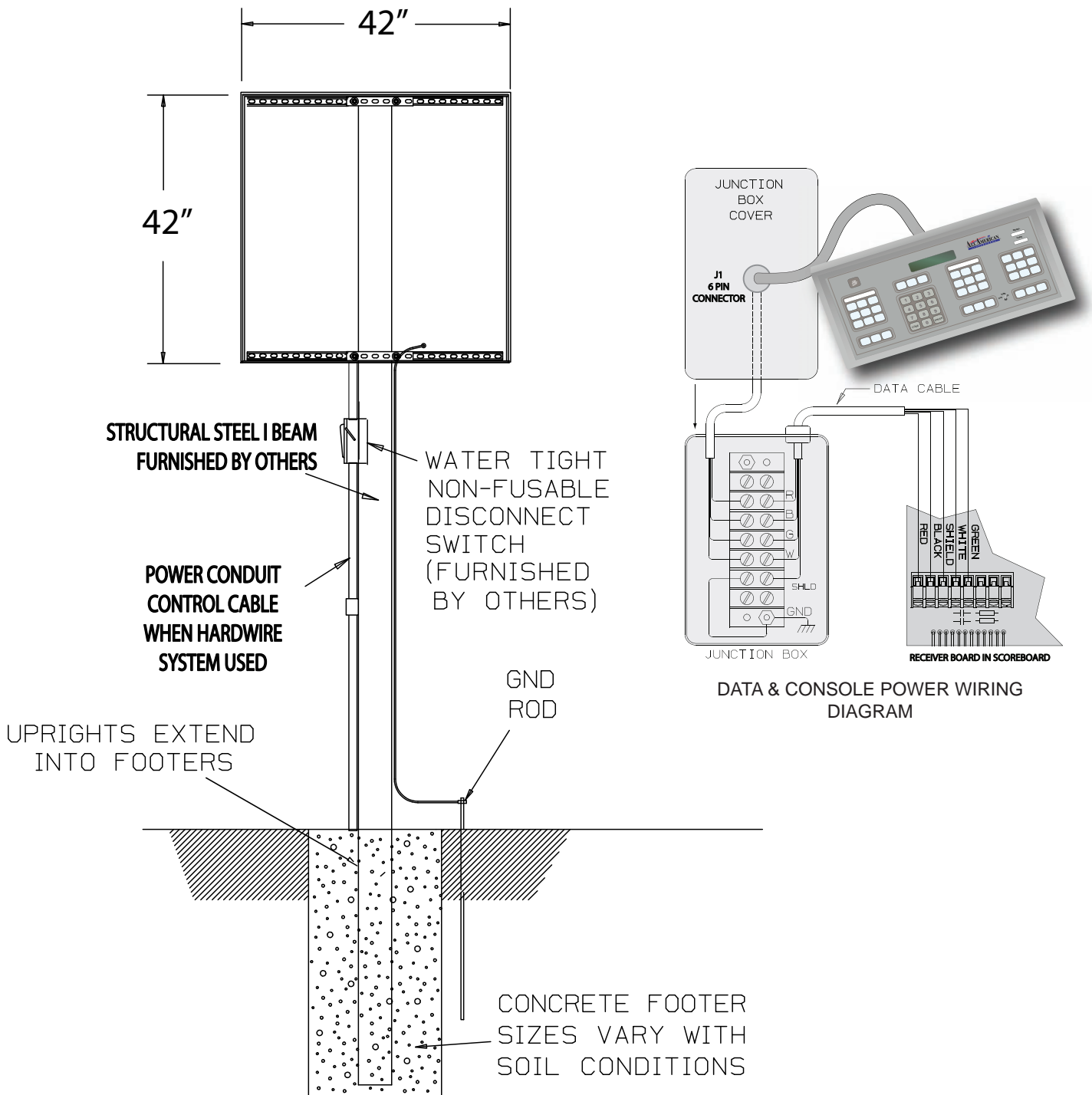
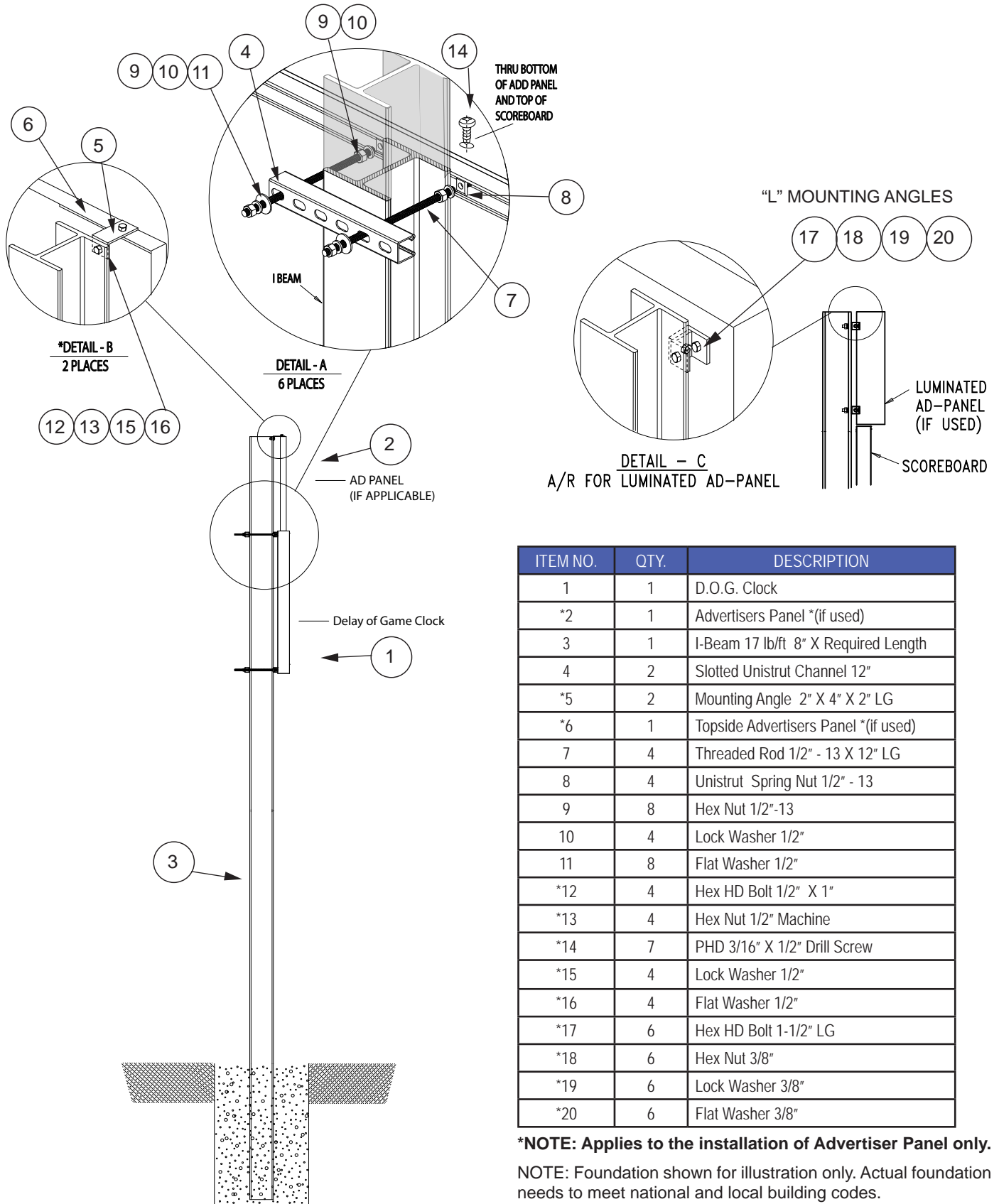


Figure 1: Site Elevation

NOTE: Foundation shown for illustration only. Actual foundation needs to meet national and local building codes.

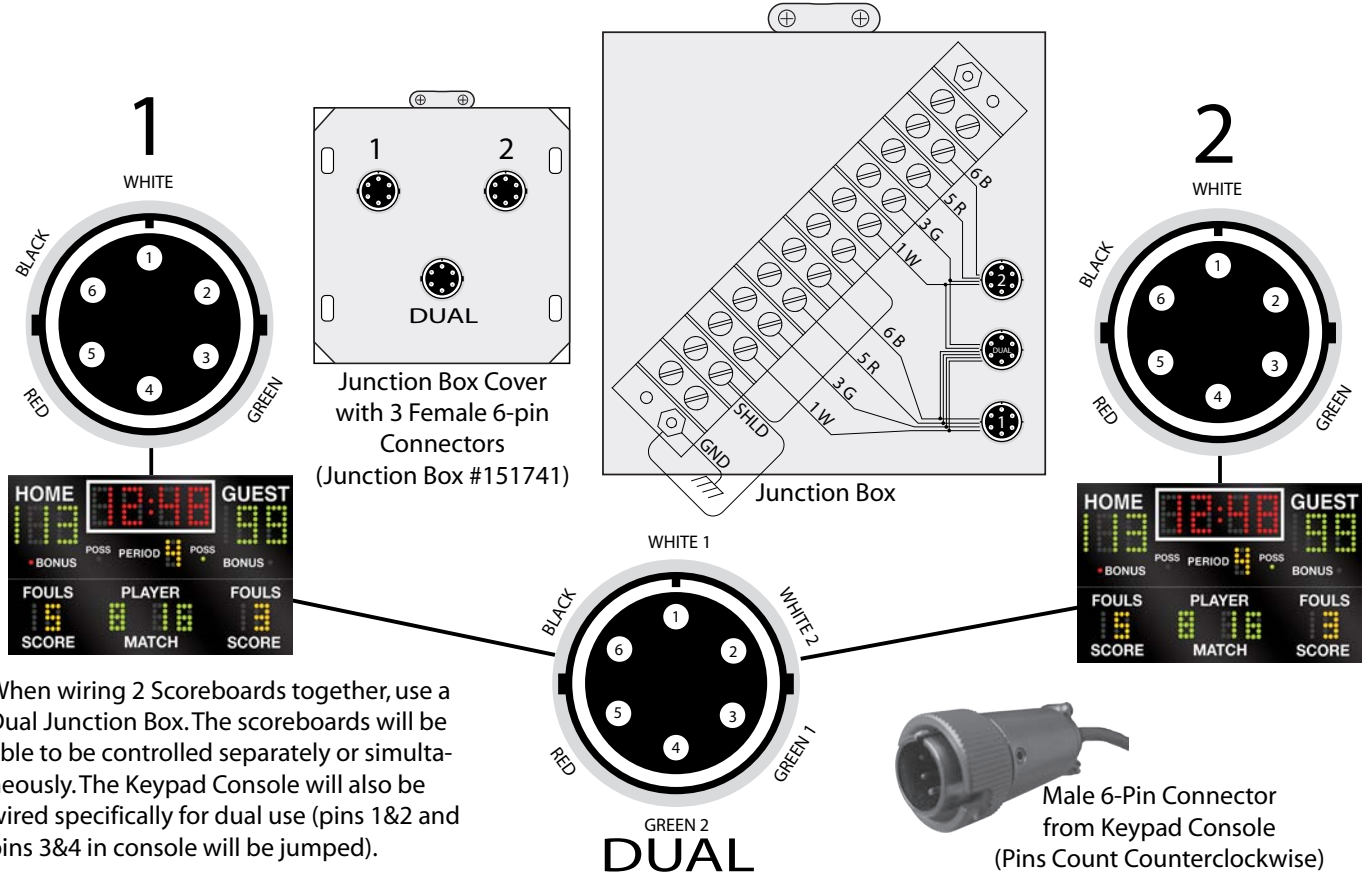
Figure 2: Mounting and Ad Panel Detail.



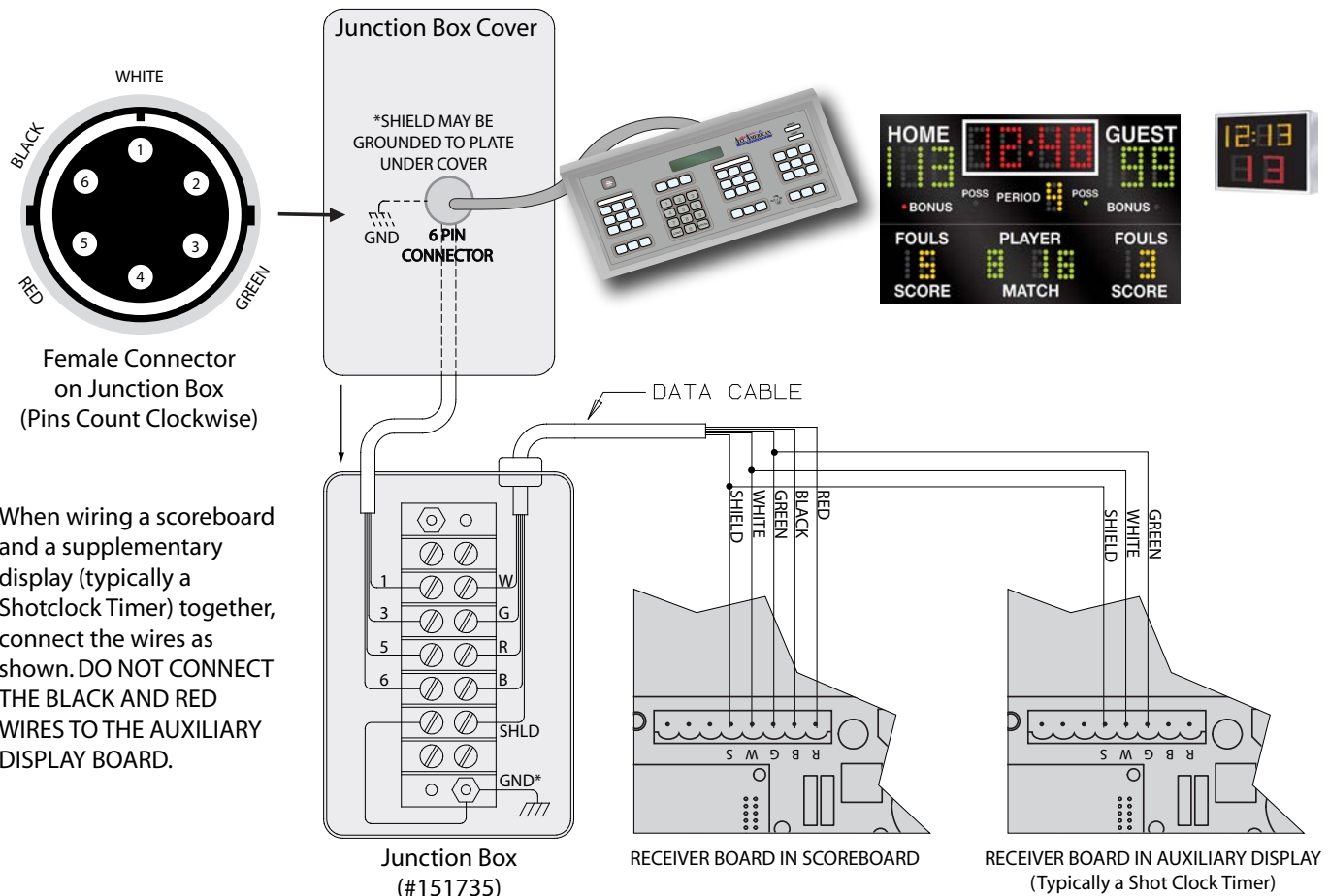
ITEM NO.	QTY.	DESCRIPTION
1	1	D.O.G. Clock
*2	1	Advertisers Panel *(if used)
3	1	I-Beam 17 lb/ft 8" X Required Length
4	2	Slotted Unistrut Channel 12"
*5	2	Mounting Angle 2" X 4" X 2" LG
*6	1	Topside Advertisers Panel *(if used)
7	4	Threaded Rod 1/2" - 13 X 12" LG
8	4	Unistrut Spring Nut 1/2" - 13
9	8	Hex Nut 1/2"-13
10	4	Lock Washer 1/2"
11	8	Flat Washer 1/2"
*12	4	Hex HD Bolt 1/2" X 1"
*13	4	Hex Nut 1/2" Machine
*14	7	PHD 3/16" X 1/2" Drill Screw
*15	4	Lock Washer 1/2"
*16	4	Flat Washer 1/2"
*17	6	Hex HD Bolt 1-1/2" LG
*18	6	Hex Nut 3/8"
*19	6	Lock Washer 3/8"
*20	6	Flat Washer 3/8"

**\*NOTE: Applies to the installation of Advertiser Panel only.**

NOTE: Foundation shown for illustration only. Actual foundation needs to meet national and local building codes.



When wiring 2 Scoreboards together, use a Dual Junction Box. The scoreboards will be able to be controlled separately or simultaneously. The Keypad Console will also be wired specifically for dual use (pins 1&2 and pins 3&4 in console will be jumped).



When wiring a scoreboard and a supplementary display (typically a Shotclock Timer) together, connect the wires as shown. DO NOT CONNECT THE BLACK AND RED WIRES TO THE AUXILIARY DISPLAY BOARD.

Figure 4. Hardwire Dual Scoreboard and Auxiliary Display Installation Instructions for 5000 and 7000 Series Scoreboards