

# ALL AMERICAN SCOREBOARDS™



Everbrite

Site Installation | Model MP-7433

Rev. 11/15/07

## SCOREBOARD SITE INSTALLATION INSTRUCTIONS

**CAUTION:** All American Scoreboards (AAS) recommends the sign be installed by a licensed contractor, and must meet all local and national building codes.

**NOTE:** AAS recommends using a boom/forklift/crane of suitable size to use in installation.

### Unpacking/Pre-Installation

Dependent on the Model ordered, the All American Scoreboard unit comes crated with different items attached and/or unattached and with different installation hardware.

**WARNING!** OPERATION OF THE UNIT WITH THE ELECTRICAL CIRCUITRY EXPOSED IS DANGEROUS. BE SURE ALL TOOLS AND ANY OTHER MATERIALS ARE REMOVED FROM THE UNIT, AND ALL ACCESS COVERS ARE REPLACED AND CLOSED BEFORE POWER IS TURNED ON.

**NOTE:** Take care uncrating as not to damage the units.

The shipment should include:

- Installation instructions (this document).
- Operator's Manual.
- LED Scoreboard Cabinet (upper and lower).
- Keypad Console.
- Scoreboard Antenna (Radio System only)
- Junction Box (Hard-wire only)
- Mounting Hardware (see parts list.)

**NOTE:** Upon receipt, check for visible damage.

If damage is found at the time of delivery, consignee must obtain an 'Inspection of Bad Order' from the delivering carrier.

If damage is found after shipment has been accepted, visit [www.AllAmericanScoreboards.com](http://www.AllAmericanScoreboards.com) for the damage claim procedure or contact your sales rep.

### Installation steps

Prior to installation, set I-Beams in required concrete footing. Footing depth varies heavily by soil conditions, climate and environmental factors. Depth of footing must comply with local ordinances. I-Beams must be level.

Step 1. Scoreboards are installed from the bottom up and connected by pins. Measure from the top of the I-Beams to the appropriate length so the top of the scoreboard (or ad panel) will be flush with the top of the I-Beam.

Step 2. Screw Threaded Rods (Item 7) into the Unistrut Spring Nuts (Item 8) and tighten using 1/2" Nut and Lock Washer (Items 9 and 10).

Step 3. Lift lower panel and center into place. It is critical that the bottom panel is level to ensure upper panels and entire scoreboard are also level.

Step 4. Install Unistrut Spring Nuts with Threaded Rods by sliding in from the end or twist them CLOCKWISE into the mounting channels (Unistrut) on the back of the scoreboard (the spring nuts have a rounded edges for only twisting clockwise), approximate position on each side of the I-beams (See Figure 2).

**NOTE:** To slide Rods and Spring Nuts into precise positioning, push-in on the Rod.

Step 5. After leveling and centering the lower panel, secure to I-beams using the supplied 12" Unistrut (Item 4) and 1/2" Flat Washer, Lock Washer and Hex Nut (Figures 9,10,11), taking care not over tighten and strip or pull the spring nuts out, 50/60 FT/LB torque max (See Figure 2, Detail A). The lower panel should be secured using 4 12" Unistrut Channels.

Step 6. Lift upper panel above mounted panel. Route the data wiring harness out the top unit into the bottom unit (recommend a sealant be used between the upper panel and lower panel wiring access holes).

Step 7. Lower upper panel onto pins of the bottom panel. Use the same Unistrut mounting procedure (see Figure 2) as the lower panel. Upper panels are secured by using 2 12" Unistrut Channels. Repeat Steps 6 and 7 for third Panel.

Step 8: If using an Advertiser Panel, using a 9/16" drill, drill through the I-Beam to install the Mounting Angle (Item 5) on to the outside top of the I-Beam (see Figure 1). Attach a two piece Advertiser Panel using a 3/16" bar on top with 4-3/8" bolts, nuts and washers and the sides with 2-3/8" bolts, nuts and washers.

Step 9: Remove the face exposing the controller assembly of the scoreboard unit (see Figure 3) by unscrewing the PH screws, top and sides, lift and remove the face, set aside for reinstallation. Connect to the driver boards in the Controller assembly according to the connector labels on the harness, (see Figure 3 Detail-E), be sure to use a drip loop and keep a 1/2" space from the bottom of the unit (see Figure 1).

**CAUTION:** Do not hammer or bang on scoreboard cabinet.

Step 10: **HARD-WIRE ONLY.** Install the Junction Box at chosen location (i.e. press box or dug-out) and hook-up Power/Data Cable to terminal block (see Figure 3 Detail-D).

Step 11: Attach the grounding wire to ground.

Step 12: Install the cable conduit and the power cut of switch box (recommended) onto the beam and run the power through the conduit to the sign.

Step 13: **HARD-WIRE ONLY.** Install the cable conduit onto the beam and run the data cable from the junction box through the conduit to the sign (see Figure 3). Remove the Controller Assembly cover and attach the console power and data cable to the Receiver Board.

Step 14: **RADIO ONLY.** Remove the RED button cover from the antenna mount located on the face of the board and screw on the extra antenna.

Step 15: Attach the Board power line to the terminal block in the power supply assembly; Black to Line, White to Neutral, Green to Ground. Reinstall cover.

Step 16: Reinstall board face into cabinet frame.

Step 17: Power up scoreboard and run set-up described in Operator's Manual Sec 3.0.

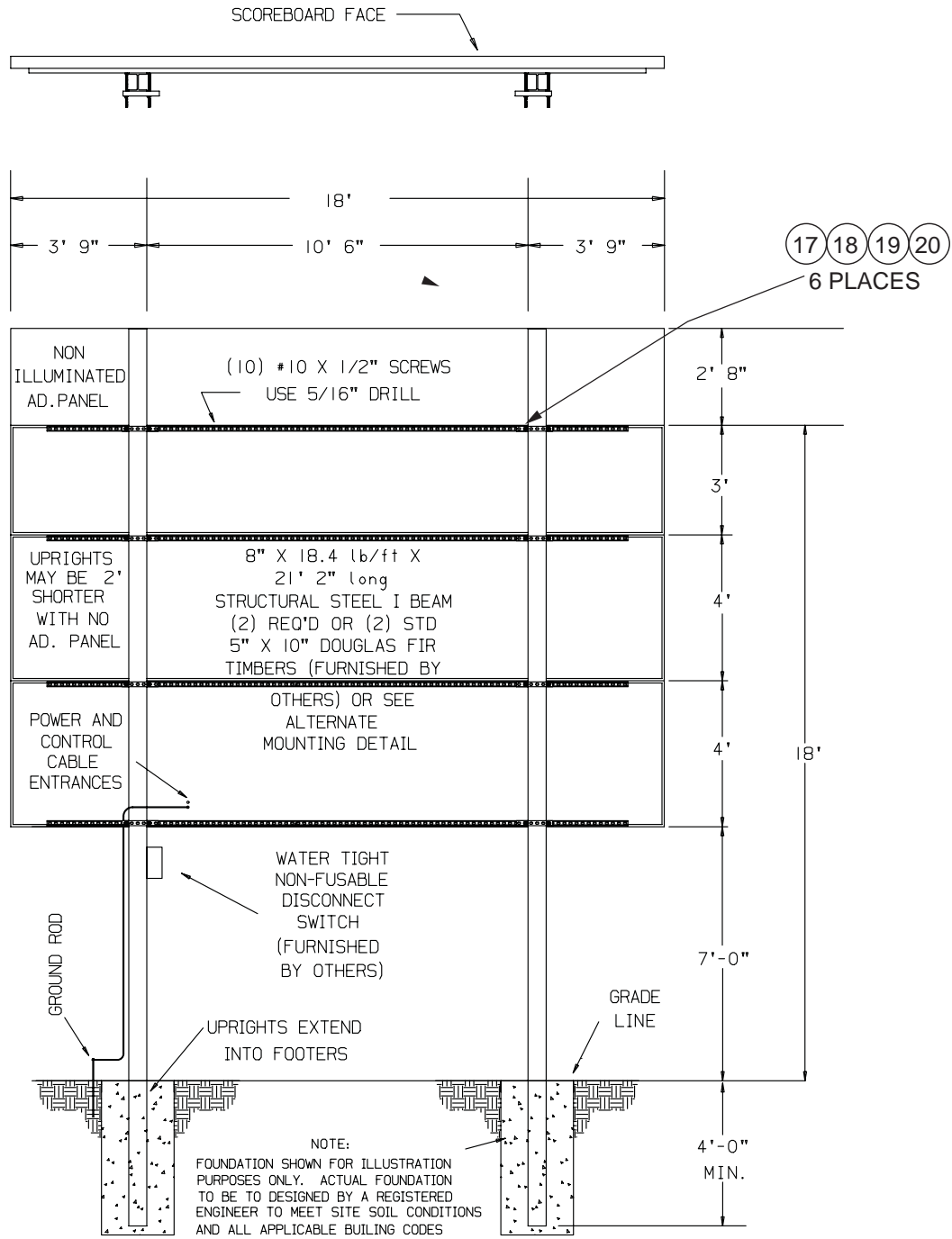
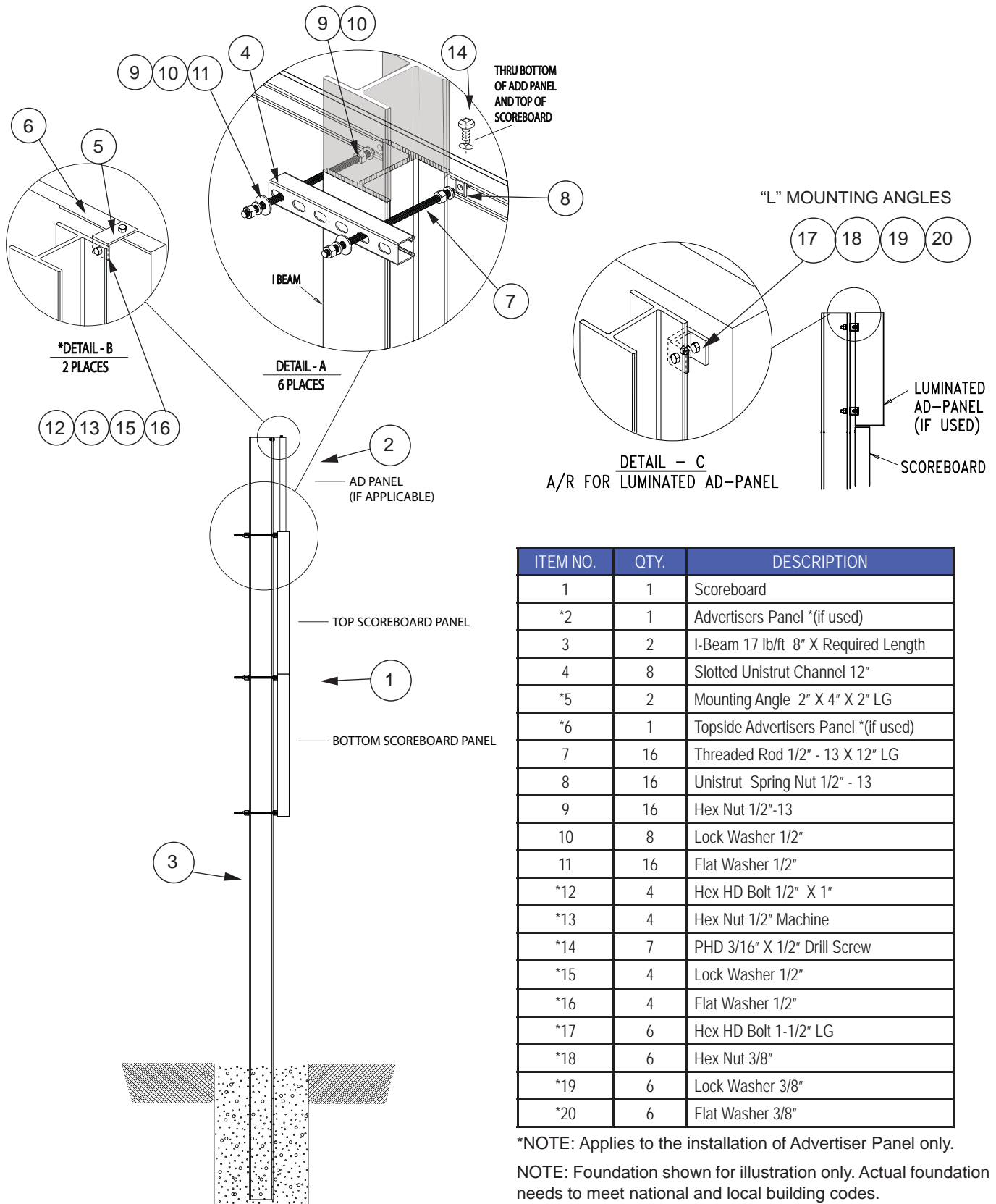


Figure 1: Site Elevation

NOTE: Foundation shown for illustration only. Actual foundation needs to meet national and local building codes.

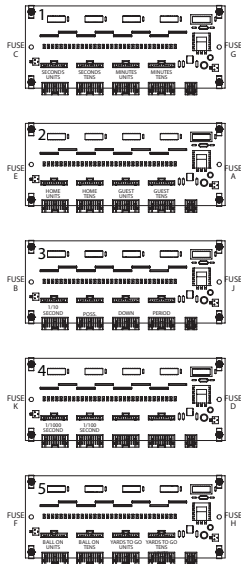
Figure 2: Mounting and Ad Panel Detail.



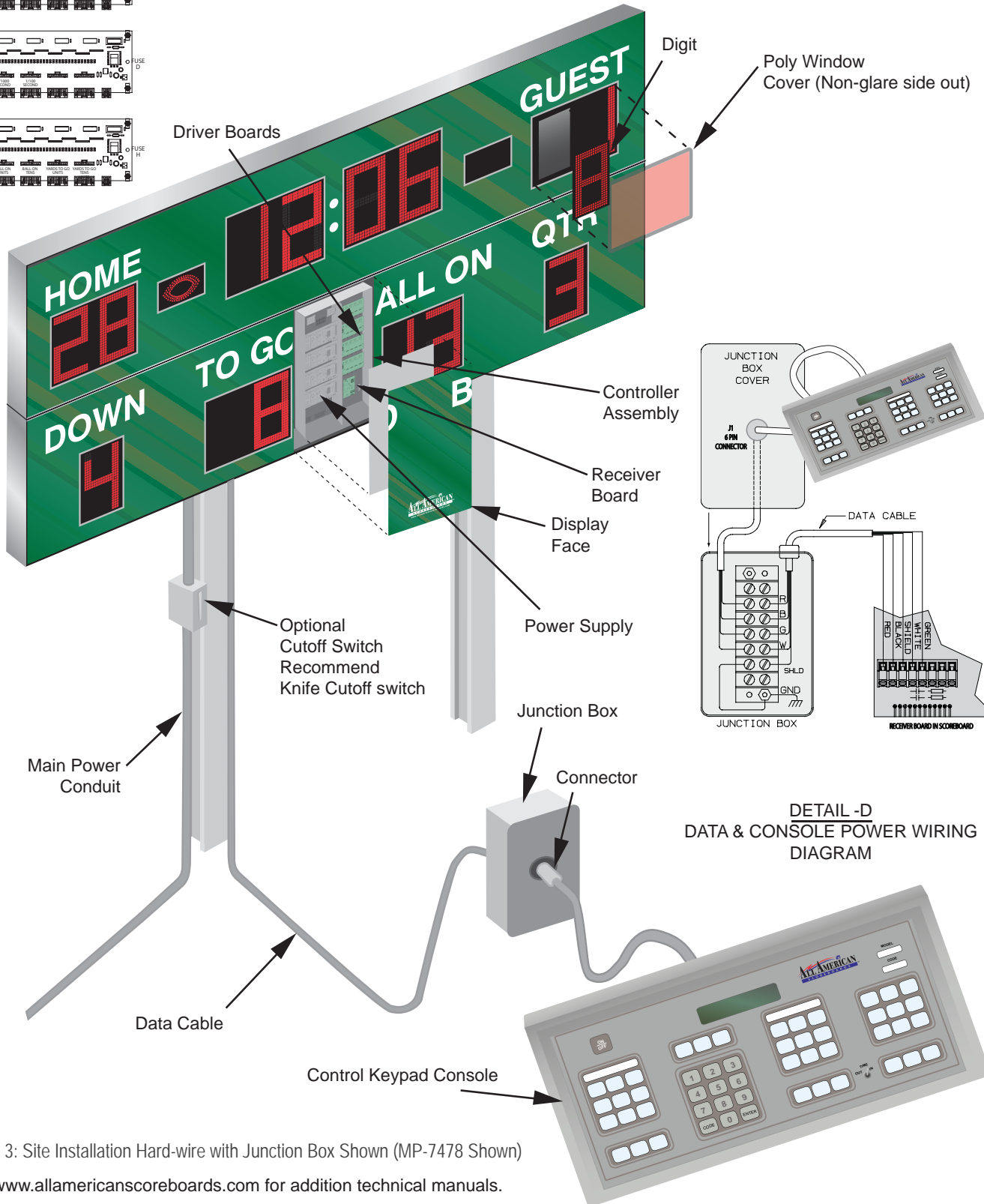
ITEM NO.	QTY.	DESCRIPTION
1	1	Scoreboard
*2	1	Advertisers Panel *(if used)
3	2	I-Beam 17 lb/ft 8" X Required Length
4	8	Slotted Unistrut Channel 12"
*5	2	Mounting Angle 2" X 4" X 2" LG
*6	1	Topside Advertisers Panel *(if used)
7	16	Threaded Rod 1/2" - 13 X 12" LG
8	16	Unistrut Spring Nut 1/2" - 13
9	16	Hex Nut 1/2"-13
10	8	Lock Washer 1/2"
11	16	Flat Washer 1/2"
*12	4	Hex HD Bolt 1/2" X 1"
*13	4	Hex Nut 1/2" Machine
*14	7	PHD 3/16" X 1/2" Drill Screw
*15	4	Lock Washer 1/2"
*16	4	Flat Washer 1/2"
*17	6	Hex HD Bolt 1-1/2" LG
*18	6	Hex Nut 3/8"
*19	6	Lock Washer 3/8"
*20	6	Flat Washer 3/8"

\*NOTE: Applies to the installation of Advertiser Panel only.

NOTE: Foundation shown for illustration only. Actual foundation needs to meet national and local building codes.



DETAIL -E  
7433 - DRIVER BOARD  
CONNECTION LAYOUT



DETAIL -D  
DATA & CONSOLE POWER WIRING  
DIAGRAM

Figure 3: Site Installation Hard-wire with Junction Box Shown (MP-7478 Shown)  
Visit [www.allamericanscoreboards.com](http://www.allamericanscoreboards.com) for addition technical manuals.

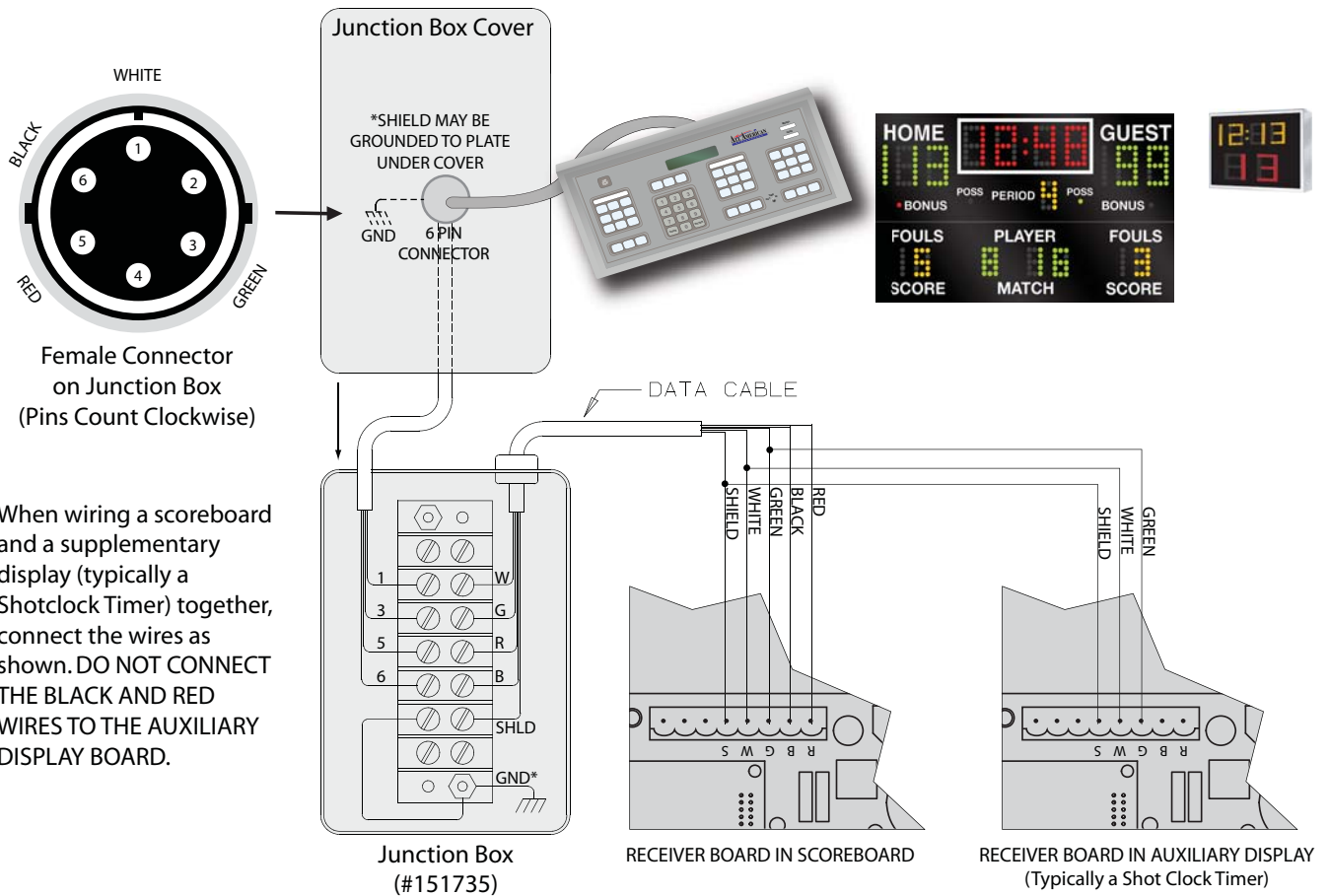
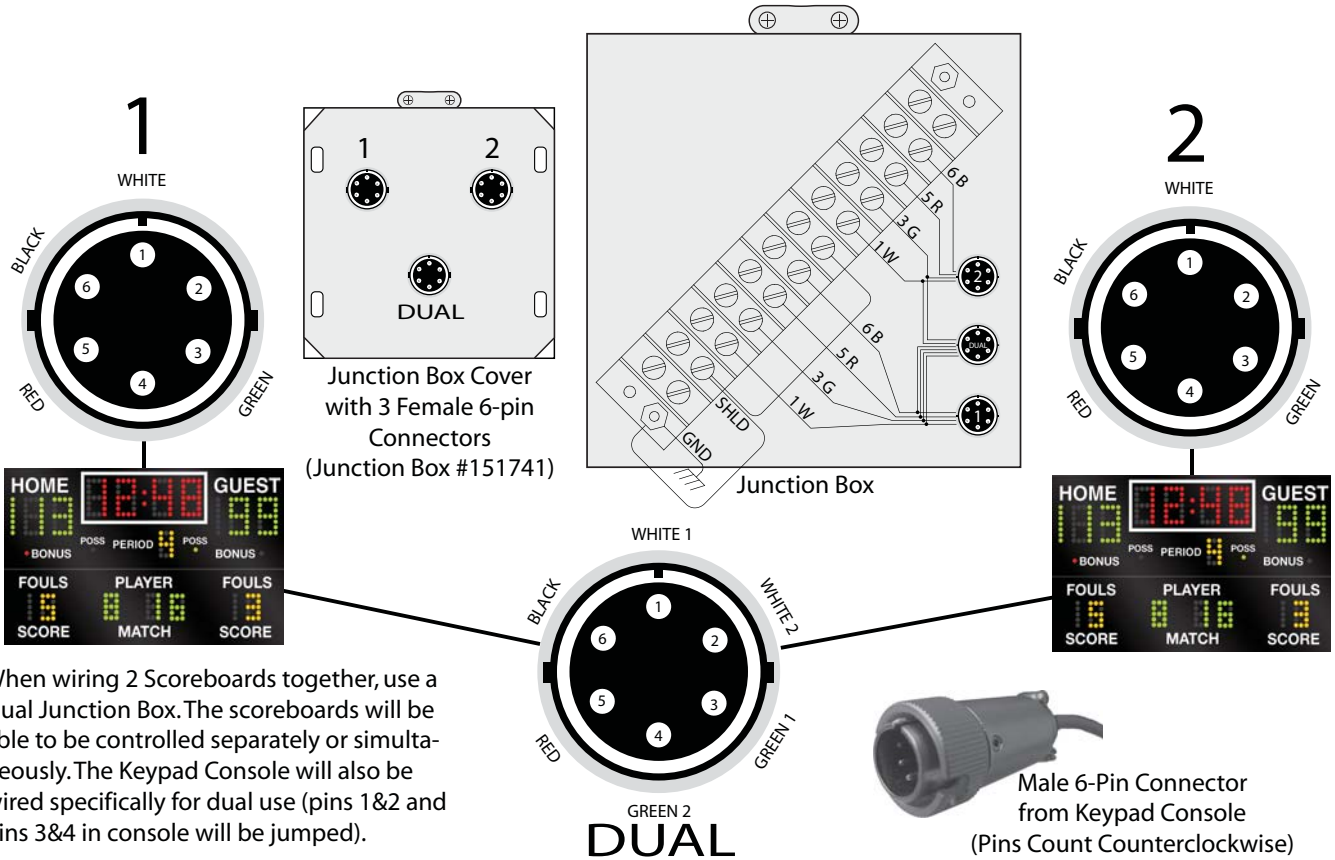


Figure 4. Hardwire Dual Scoreboard and Auxiliary Display Installation Instructions for 5000 and 7000 Series Scoreboards