

# ALL AMERICAN

## SCOREBOARDS™



Everbrite

Site Installation | Model MP-7298

Rev. 11/07/07

## SCOREBOARD SITE INSTALLATION INSTRUCTIONS

**CAUTION:** All American Scoreboards (AAS) recommends the sign be installed by a licensed contractor, and must meet all local and national building codes.

**NOTE:** AAS recommends using a boom/forklift/crane of suitable size to use in installation.

### Unpacking/Pre-Installation

Dependent on the Model ordered, the All American Scoreboard unit comes crated with different items attached and/or unattached and with different installation hardware.

**WARNING!** OPERATION OF THE UNIT WITH THE ELECTRICAL CIRCUITRY EXPOSED IS DANGEROUS. BE SURE ALL TOOLS AND ANY OTHER MATERIALS ARE REMOVED FROM THE UNIT, AND ALL ACCESS COVERS ARE REPLACED AND CLOSED BEFORE POWER IS TURNED ON.

**NOTE:** Take care uncrating as not to damage the units.

The shipment should include:

- Installation instructions (this document).
- Operator's Manual.
- LED Scoreboard Cabinet.
- Keypad Console.
- Scoreboard Antenna (Radio System only)
- Junction Box (Hard-wire only)
- Mounting Hardware

**NOTE:** Upon receipt, check for visible damage. If damage is found at the time of delivery, consignee must obtain an 'Inspection of Bad Order' from the delivering carrier.

If damage is found after shipment has been accepted, visit [www.AllAmericanScoreboards.com](http://www.AllAmericanScoreboards.com) for the damage claim procedure or contact your sales rep.

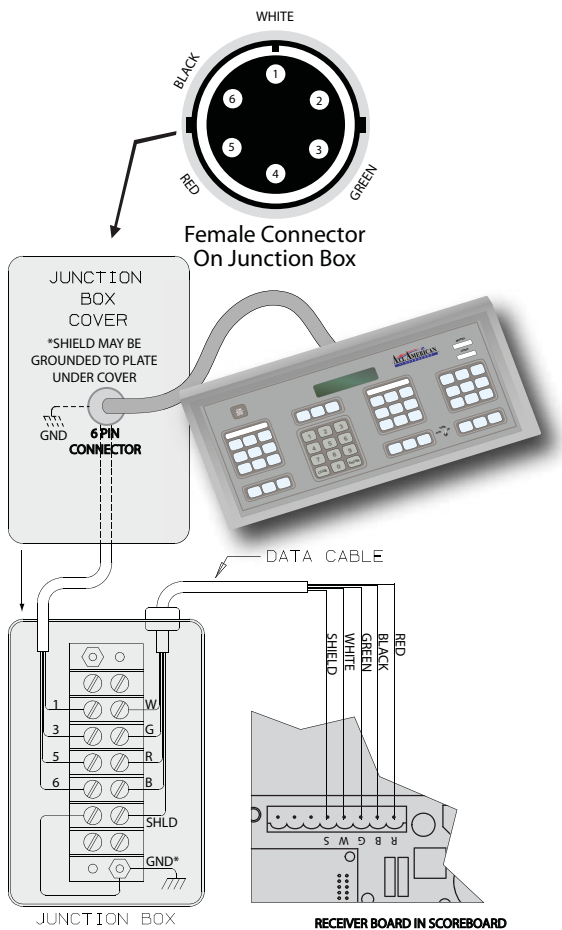


Figure 1. Single Junction Box Wiring

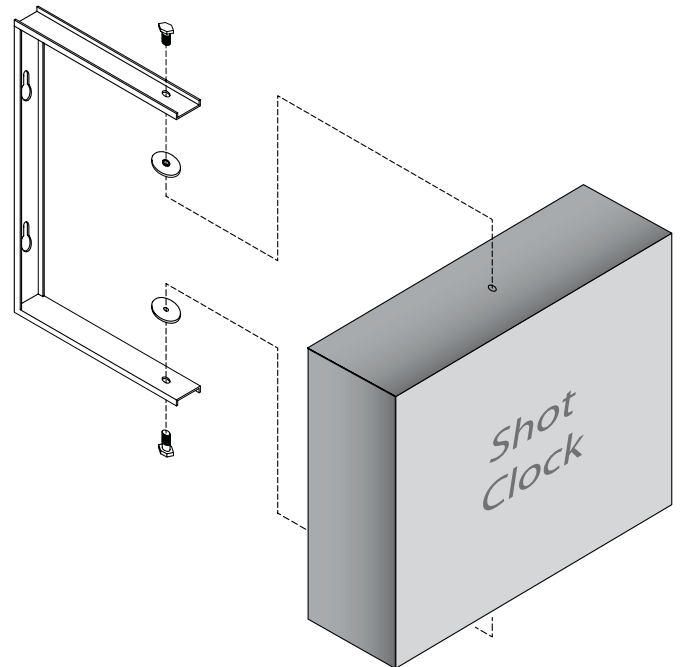


Figure 2. Mounting Installation Instructions

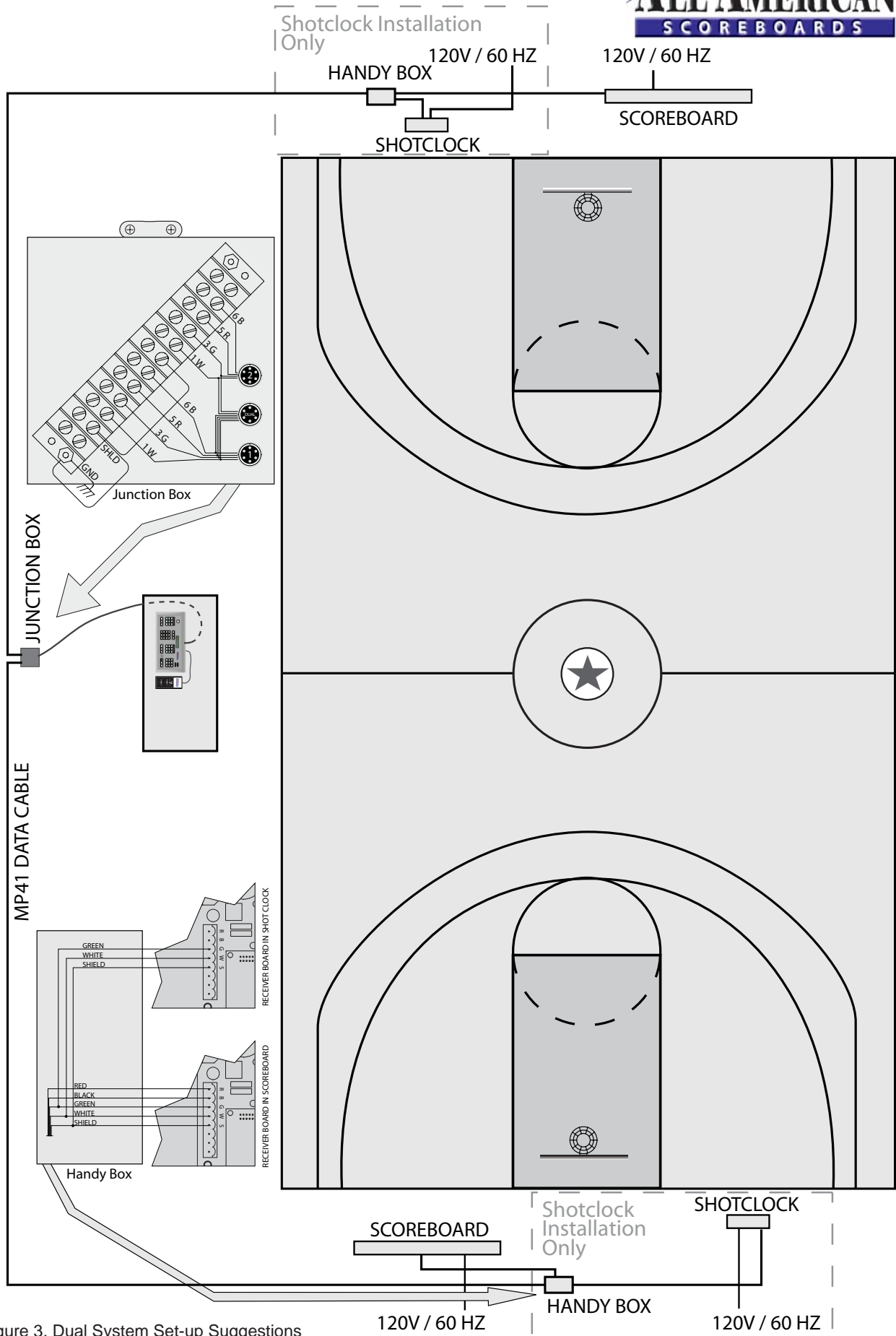
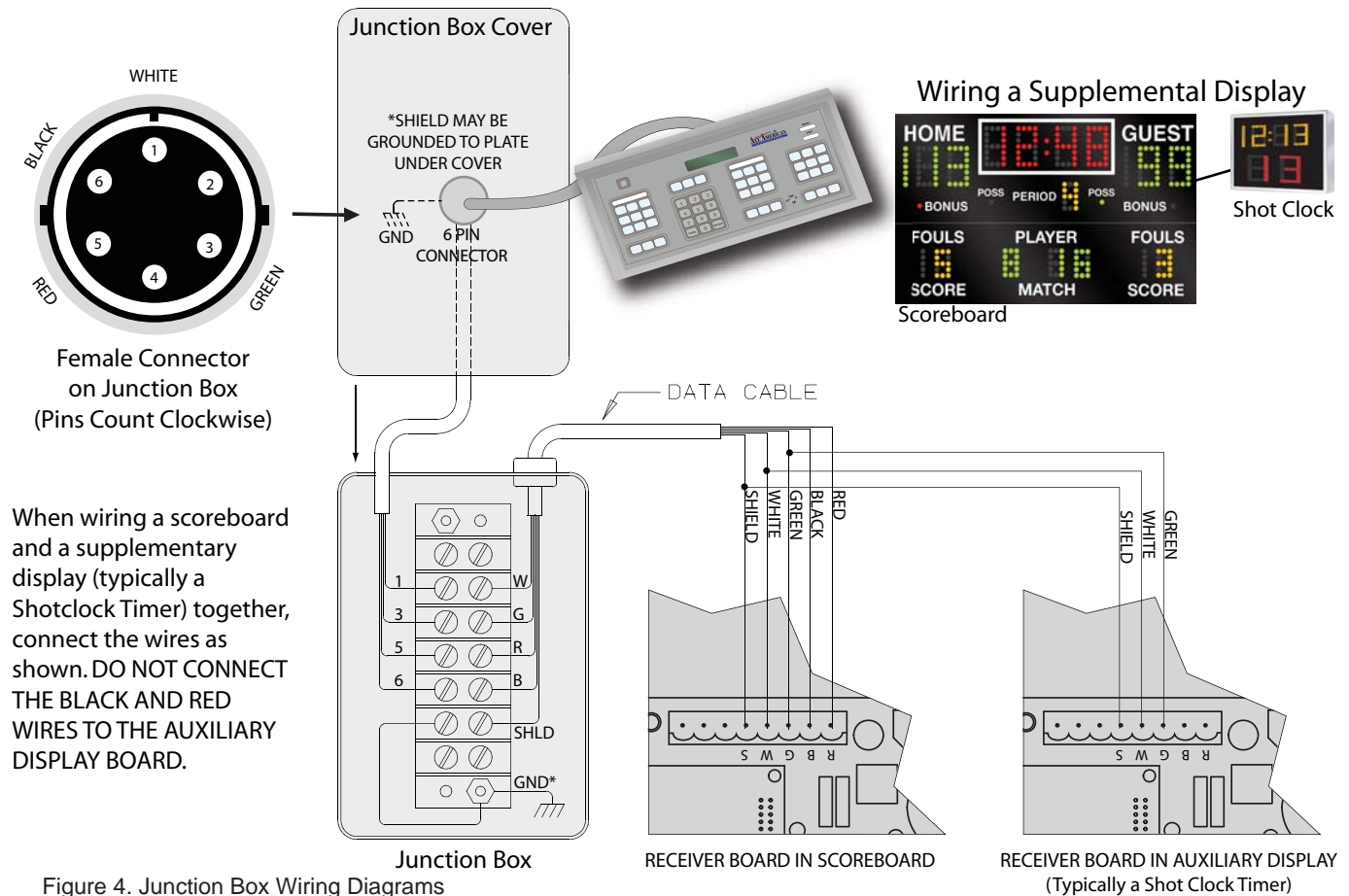
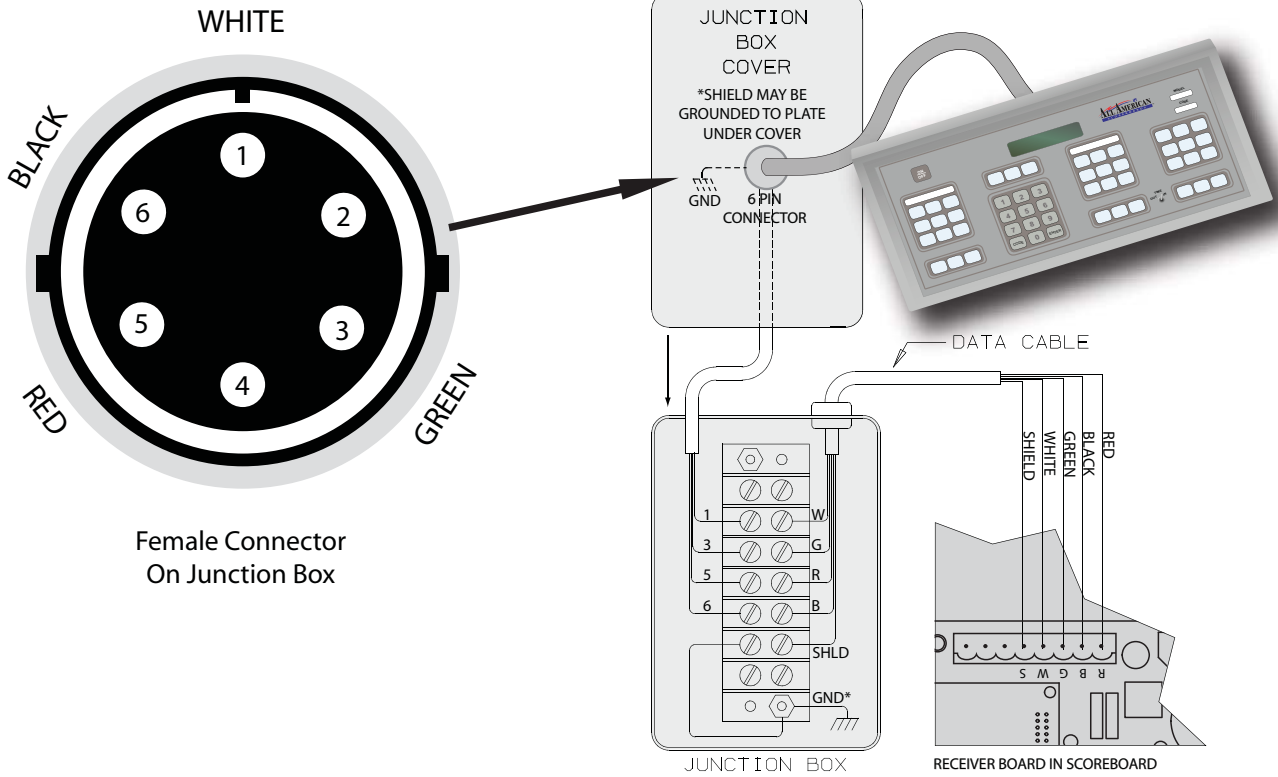


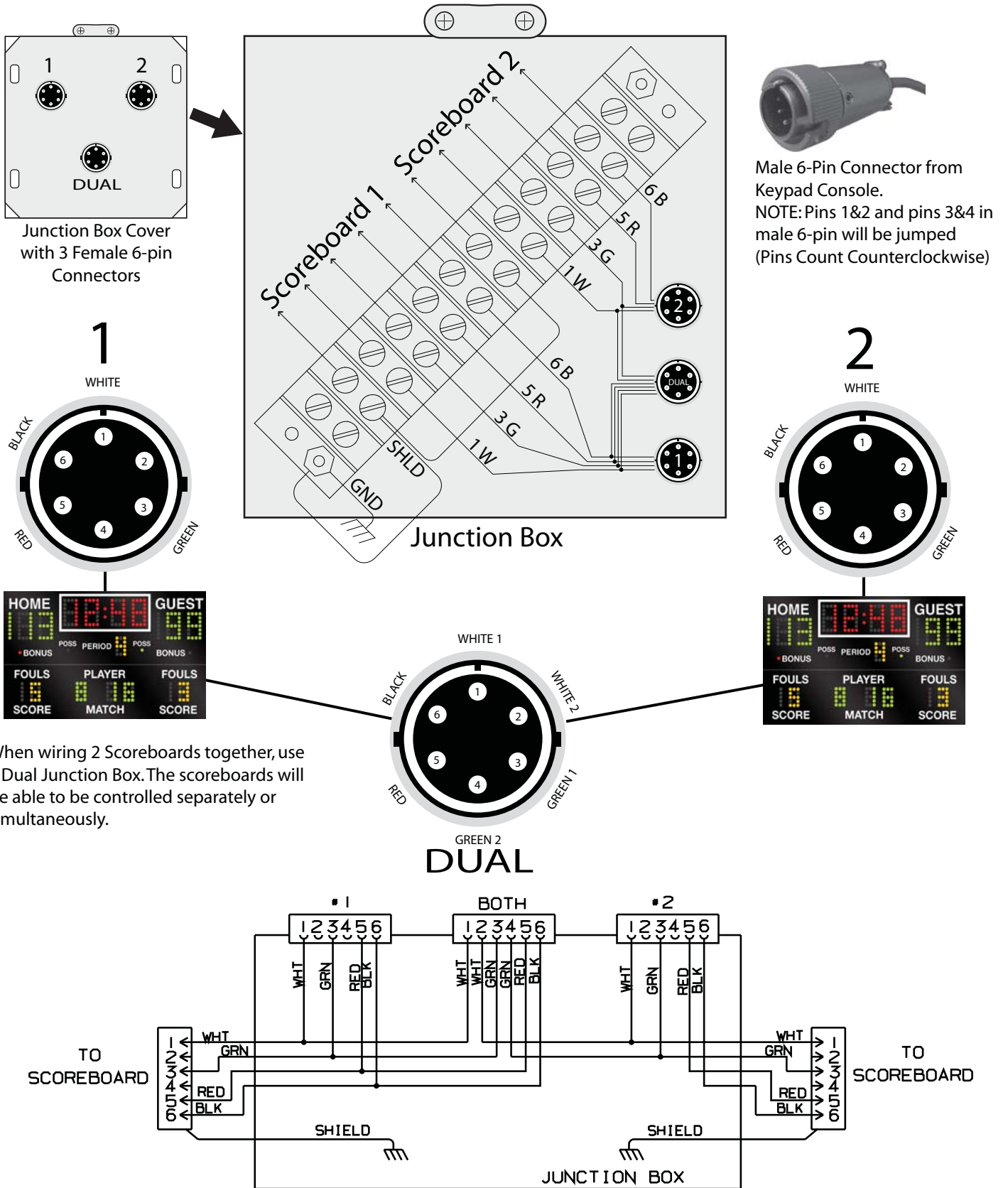
Figure 3. Dual System Set-up Suggestions

### Single Scoreboard Wiring



When wiring a scoreboard and a supplementary display (typically a Shotclock Timer) together, connect the wires as shown. DO NOT CONNECT THE BLACK AND RED WIRES TO THE AUXILIARY DISPLAY BOARD.

Figure 4. Junction Box Wiring Diagrams



When wiring 2 Scoreboards together, use a Dual Junction Box. The scoreboards will be able to be controlled separately or simultaneously.

Figure 5. Dual Junction Box Wiring Diagrams