

Waterproof Data Cable Addendum

This kit should include:

- 200' spool of yellow waterproof CAT5 Data Cable or other special-ordered length
- package of Gel crimp connectors
- these instructions

Installation

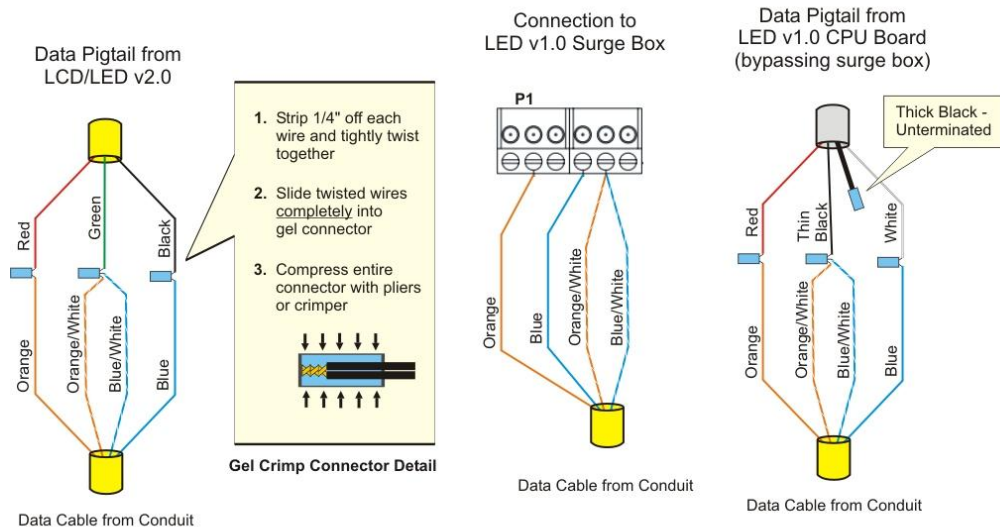
1. Locate the Everbrite converter box whose data cable is to be replaced. Each OCS/COD will have its own converter box which is typically located near a POS terminal or in the store's equipment closet. **Note: The DB-9 end of the cable will plug into the converter's "To OCS" port.**



Everbrite Converters

2. Pull the data cable through the data conduit in which the old cable is run starting from inside the store out to the concrete foundation. If the existing cable is being replaced, it can be used as a pull cable. Leave at least 4 feet of extra cable at the sign foundation and coil the remaining cable inside the equipment rack or in the ceiling above the converter. **Note: Do not run the data cable through the same conduit as AC power.**
3. Be sure to label the new cable appropriately in order to identify the OCS/COD number (if more than one is installed at the store).
4. Use the included blue gel crimp connectors and connect as show in the diagram below:

OCS/COD Serial Data Cable Connections via Waterproof Cable



Note: All other wires and shield should be left unterminated.

Note: The Data Cable should ship pre-terminated with a male DB-9 connector on the store end. Here is the pin-out of the connector:

Orange > Pin 6
Blue > Pin 9
Orange/White & Blue/White > Pin 5